

KARIZMA [luce]

• LED'S DELIGHT •

[Our luminaires.]

*"Delighted to have you reading
our catalogue. Make yourself
comfortable and enjoy!"*

Delighted *to have you.*

At Karizma Luce we love to delight you. Our high-quality and extensive range has everything you need to exceed your expectations. Whatever lighting challenge you face.

Let's take your next lighting project to an unparalleled level. In this product catalogue we are offering you a crystal-clear overview of the latest exquisite lighting solutions available. Ready to amaze people in retail, hospitality, offices and residential buildings.

Collections *where to find.*



We have composed two beautiful collections for you. The Delizia di Luce collection combines functional lighting with endless possibilities and beautiful design. Looking for high-end design? Dea Della Luce offers you a unique collection of pure lighting jewellery.

Navigate this catalogue by using the Index (page 12). The Visual Index (page 220) is helpful when you want to search by product name or image. New is the possibility to create your own article numbers (page 224).

Wishing you lots of inspiration, *led's delight!*

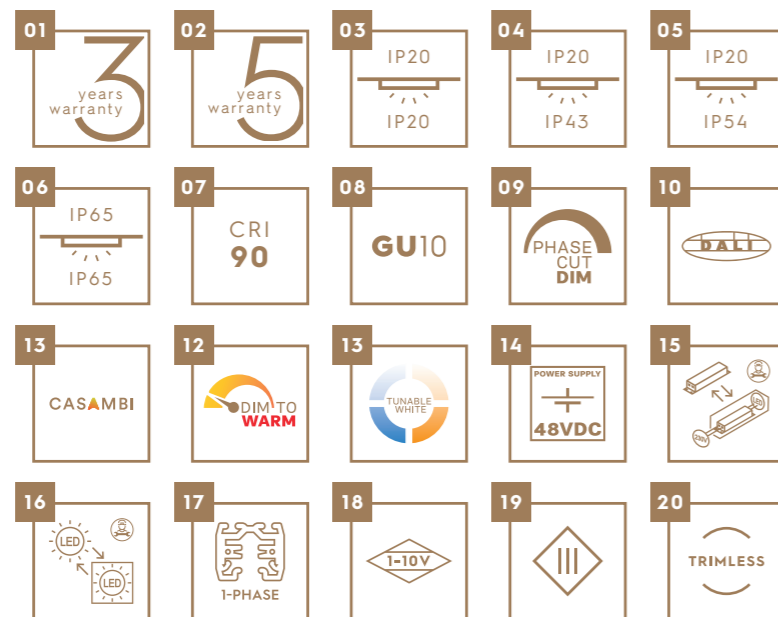


Content.

18		Recessed luminaires <i>fixed</i>
60		Recessed luminaires <i>adjustable</i>
114		Recessed luminaires <i>trimless</i>
134		220V track luminaires
150		Q-Line Series 48V Track <i>luminaires</i>
178		Surface luminaires
206		Suspended luminaires

How to explain *the icons.*

Important features visible at a glance. In this catalogue, every product page contains icons that show the most important features of that luminaire. The meaning of the icons you find here.



01 + 02 Warranty on quality in years. **03** Ingress Protection 20: protected against solid objects, not watertight from optical side. **04** Ingress Protection 43: protected against solid objects, not watertight from optical side. **05** Ingress Protection 54, protected against dust and from water from all directions at optical side. **06** Ingress Protection 65: dustproof and protected against low pressure jets of water from all directions. **07** Colour Rendering Index 90. **08** Fixture suitable for GU10 light source. **09** Phase-cut dimming. **10** Digital dimming interface. **11** Wireless lighting control based on Bluetooth. **12** Dim to a warmer colour from 3000K to 1800K for creating the right atmosphere. **12** Light colour from 2700K to 6500K to set an individual colour temperature. Used for wellbeing (daylight simulation) and for increasing the performance in offices and workshops. **03** 48 Volt Power Supply System. **15** Replaceable control gear by a professional. **16** Replaceable (LED only) light source by a professional. **17** Also suitable for 1-phase track. **18** Analog dimming interface. **19** Designed to be supplied from a separated extra-low voltage (SELV) power source. **20** The luminaire has no visible trim. The supporting frame is concealed in the plastered ceiling.



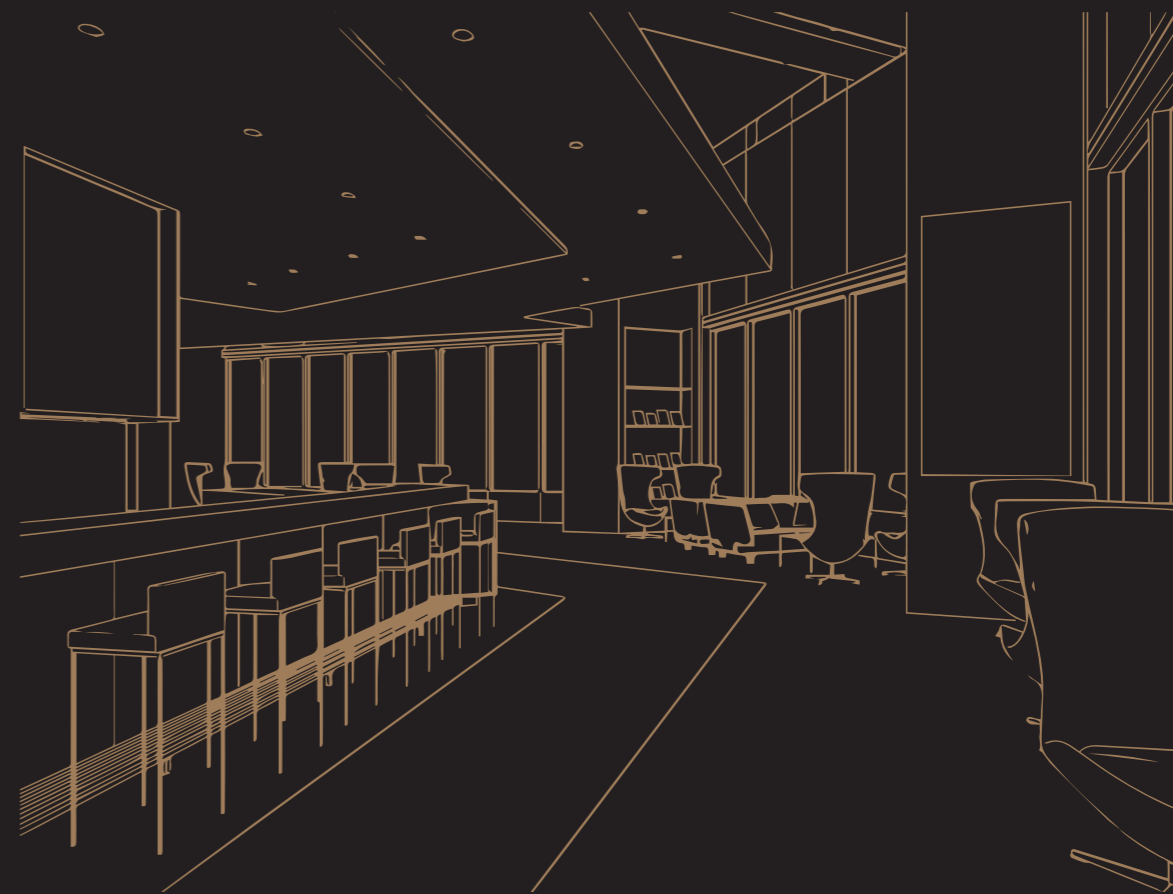
Recessed
luminaires
fixed

Dea Della Luce
By KARIZMA_{luce}



Dea Amata
how love should be.

Everybody loves the Dea Amata. It is one of our most popular luminaires. That's exactly why we called it Amata. This means 'loved' in Italian. In its own way, she makes you feel at home. Exactly in the colour that suits you. Caring, reliable, timeless. That's how love should be, right?



Dea Amata XS.

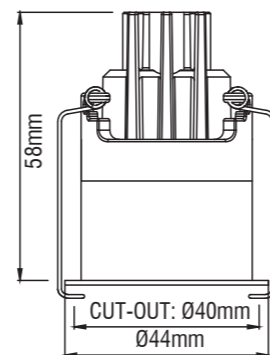


Dea Amata S.



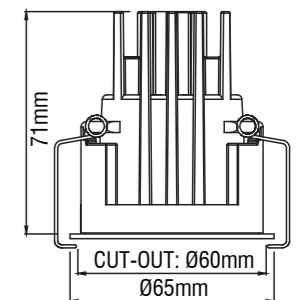
		Description	Reflector	Angle	White	Black
	150lm 927 2.1W	black high gloss	18°	211AW92718BG00	211AB92718BG00	
	160lm 930 2.1W	black high gloss	18°	211AW93018BG00	211AB93018BG00	
	170lm 940 2.1W	black high gloss	18°	211AW94018BG00	211AB94018BG00	
	150lm 927 2.1W	silver high gloss	18°	211AW92718SG00	211AB92718SG00	
	160lm 930 2.1W	silver high gloss	18°	211AW93018SG00	211AB93018SG00	
	170lm 940 2.1W	silver high gloss	18°	211AW94018SG00	211AB94018SG00	
	150lm 927 2.1W	chrome	18°	211AW92718CH00	211AB92718CH00	
	160lm 930 2.1W	chrome	18°	211AW93018CH00	211AB93018CH00	
	170lm 940 2.1W	chrome	18°	211AW94018CH00	211AB94018CH00	
	150lm 927 2.1W	white	18°	211AW92718WH00	211AB92718WH00	
	160lm 930 2.1W	white	18°	211AW93018WH00	211AB93018WH00	
	170lm 940 2.1W	white	18°	211AW94018WH00	211AB94018WH00	
	150lm 927 2.1W	gold	18°	211AW92718GO00	211AB92718GO00	
	160lm 930 2.1W	gold	18°	211AW93018GO00	211AB93018GO00	
	170lm 940 2.1W	gold	18°	211AW94018GO00	211AB94018GO00	
	150lm 927 2.1W	black matt	18°	211AW92718BM00	211AB92718BM00	
	160lm 930 2.1W	black matt	18°	211AW93018BM00	211AB93018BM00	
	170lm 940 2.1W	black matt	18°	211AW94018BM00	211AB94018BM00	
	150lm 927 2.1W	copper	18°	211AW92718CO00	211AB92718CO00	
	160lm 930 2.1W	copper	18°	211AW93018CO00	211AB93018CO00	
	170lm 940 2.1W	copper	18°	211AW94018CO00	211AB94018CO00	

Driver (700mA/3Vf) must be ordered separately.



		Description	Reflector	Angle	White	Black
	600lm 927 8.5W	black high gloss	60°	212CW92760BG00	212CB92760BG00	
	630lm 930 8.5W	black high gloss	60°	212CW93060BG00	212CB93060BG00	
	700lm 940 8.5W	black high gloss	60°	212CW94060BG00	212CB94060BG00	
	630lm 927 8.5W	silver high gloss	60°	212CW92760SG00	212CB92760SG00	
	670lm 930 8.5W	silver high gloss	60°	212CW93060SG00	212CB93060SG00	
	730lm 940 8.5W	silver high gloss	60°	212CW94060SG00	212CB94060SG00	
	620lm 927 8.5W	chrome	55°	212CW92755CH00	212CB92755CH00	
	660lm 930 8.5W	chrome	55°	212CW93055CH00	212CB93055CH00	
	720lm 940 8.5W	chrome	55°	212CW94055CH00	212CB94055CH00	
	620lm 927 8.5W	white	60°	212CW92760WH00	212CB92760WH00	
	650lm 930 8.5W	white	60°	212CW93060WH00	212CB93060WH00	
	700lm 940 8.5W	white	60°	212CW94060WH00	212CB94060WH00	
	600lm 927 8.5W	gold	55°	212CW92755GO00	212CB92755GO00	
	640lm 930 8.5W	gold	55°	212CW93055GO00	212CB93055GO00	
	700lm 940 8.5W	gold	55°	212CW94055GO00	212CB94055GO00	
	600lm 927 8.5W	black matt	60°	212CW92760BM00	212CB92760BM00	
	630lm 930 8.5W	black matt	60°	212CW93060BM00	212CB93060BM00	
	700lm 940 8.5W	black matt	60°	212CW94060BM00	212CB94060BM00	
	600lm 927 8.5W	copper	55°	212CW92755CO00	212CB92755CO00	
	640lm 930 8.5W	copper	55°	212CW93055CO00	212CB93055CO00	
	700lm 940 8.5W	copper	55°	212CW94055CO00	212CB94055CO00	

Driver (250mA/29.9-31.7Vf) must be ordered separately.
For Light source energy class and identifier please consult the datasheet on our website.



Dea Amata M.

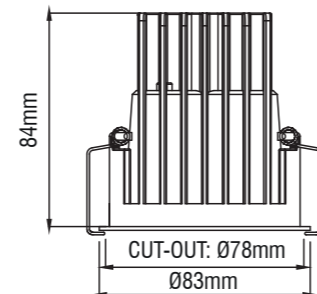


Dea Amata XM.



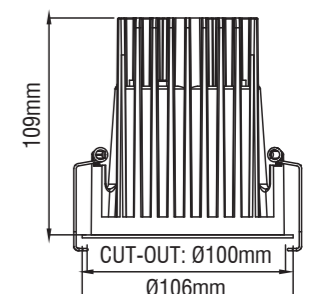
		Description	Reflector	Angle	White	Black
		1080lm 927 12.5W	black high gloss	40°	213EW92740BG00	213EB92740BG00
		1120lm 930 12.5W	black high gloss	40°	213EW93040BG00	213EB93040BG00
		1130lm 940 12.5W	black high gloss	40°	213EW94040BG00	213EB94040BG00
		1250lm 927 12.5W	silver high gloss	35°	213FW92735SG00	213FB92735SG00
		1300lm 930 12.5W	silver high gloss	35°	213FW93035SG00	213FB93035SG00
		1300lm 940 12.5W	silver high gloss	35°	213FW94035SG00	213FB94035SG00
		1250lm 927 12.5W	chrome	40°	213FW92740CH00	213FB92740CH00
		1300lm 930 12.5W	chrome	40°	213FW93040CH00	213FB93040CH00
		1300lm 940 12.5W	chrome	40°	213FW94040CH00	213FB94040CH00
		1170lm 927 12.5W	white	45°	213EW92745WH00	213EB92745WH00
		1220lm 930 12.5W	white	45°	213EW93045WH00	213EB93045WH00
		1220lm 940 12.5W	white	45°	213EW94045WH00	213EB94045WH00
		1140lm 927 12.5W	gold	40°	213EW92740GO00	213EB92740GO00
		1190lm 930 12.5W	gold	40°	213EW93040GO00	213EB93040GO00
		1200lm 940 12.5W	gold	40°	213EW94040GO00	213EB94040GO00
		1080lm 927 12.5W	black matt	40°	213EW92740BM00	213EB92740BM00
		1120lm 930 12.5W	black matt	40°	213EW93040BM00	213EB93040BM00
		1130lm 940 12.5W	black matt	40°	213EW94040BM00	213EB94040BM00
		1140lm 927 12.5W	copper	40°	213EW92740CO00	213EB92740CO00
		1190lm 930 12.5W	copper	40°	213EW93040CO00	213EB93040CO00
		1200lm 940 12.5W	copper	40°	213EW94040CO00	213EB94040CO00

Driver (350mA/33.8-35.9Vf) must be ordered separately.
For Light source energy class and identifier please consult the datasheet on our website.



		Description	Reflector	Angle	White	Black
		1550lm 927 17.5W	black high gloss	45°	214GW92745BG00	214GB92745BG00
		1620lm 930 17.5W	black high gloss	45°	214GW93045BG00	214GB93045BG00
		1650lm 940 17.5W	black high gloss	45°	214GW94045BG00	214GB94045BG00
		1750lm 927 17.5W	silver high gloss	45°	214HW92745SG00	214HB92745SG00
		1825lm 930 17.5W	silver high gloss	45°	214HW93045SG00	214HB93045SG00
		1850lm 940 17.5W	silver high gloss	45°	214HW94045SG00	214HB94045SG00
		1630lm 927 17.5W	chrome	45°	214GW92745CH00	214GB92745CH00
		1700lm 930 17.5W	chrome	45°	214GW93045CH00	214GB93045CH00
		1720lm 940 17.5W	chrome	45°	214GW94045CH00	214GB94045CH00
		1580lm 927 17.5W	white	45°	214GW92745WH00	214GB92745WH00
		1650lm 930 17.5W	white	45°	214GW93045WH00	214GB93045WH00
		1670lm 940 17.5W	white	45°	214GW94045WH00	214GB94045WH00
		1580lm 927 17.5W	gold	45°	214GW92745GO00	214GB92745GO00
		1650lm 930 17.5W	gold	45°	214GW93045GO00	214GB93045GO00
		1670lm 940 17.5W	gold	45°	214GW94045GO00	214GB94045GO00
		1550lm 927 17.5W	black matt	45°	214GW92745BM00	214GB92745BM00
		1620lm 930 17.5W	black matt	45°	214GW93045BM00	214GB93045BM00
		1650lm 940 17.5W	black matt	45°	214GW94045BM00	214GB94045BM00
		1580lm 927 17.5W	copper	45°	214GW92745CO00	214GB92745CO00
		1650lm 930 17.5W	copper	45°	214GW93045CO00	214GB93045CO00
		1670lm 940 17.5W	copper	45°	214GW94045CO00	214GB94045CO00

Driver (500mA/32.8-34.8Vf) must be ordered separately.
For Light source energy class and identifier please consult the datasheet on our website.

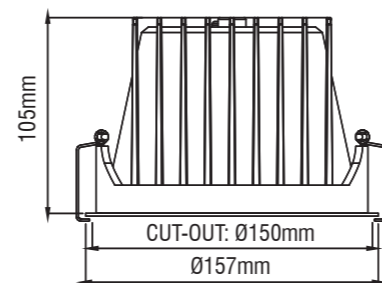


Dea Amata L.



Description	Reflector	Angle	White	Black
1340lm-2460lm 927 11.5-24W	black high gloss	40°	215FW92740BG00	215FB92740BG00
1400lm-2550lm 930 11.5-24W	black high gloss	40°	215FW93040BG00	215FB93040BG00
1370lm-2620lm 940 11.5-24W	black high gloss	40°	215FW94040BG00	215FB94040BG00
1480lm-2720lm 927 11.5-24W	silver high gloss	35°	215FW92735SG00	215FB92735SG00
1540lm-2830lm 930 11.5-24W	silver high gloss	35°	215GW93035SG00	215GB93035SG00
1520lm-2900lm 940 11.5-24W	silver high gloss	35°	215GW94035SG00	215GB94035SG00
1300lm-2500lm 927 11.5-24W	chrome	40°	215FW92740CH00	215FB92740CH00
1350lm-2600lm 930 11.5-24W	chrome	40°	215FW93040CH00	215FB93040CH00
1400lm-2650lm 940 11.5-24W	chrome	40°	215FW94040CH00	215FB94040CH00
1300lm-2500lm 927 11.5-24W	white	50°	215FW92750WH00	215FB92750WH00
1350lm-2600lm 930 11.5-24W	white	50°	215FW93050WH00	215FB93050WH00
1400lm-2650lm 940 11.5-24W	white	50°	215FW94050WH00	215FB94050WH00
1320lm-2430lm 927 11.5-24W	gold	45°	215FW92750GO00	215FB92750GO00
1380lm-2520lm 930 11.5-24W	gold	45°	215FW93050GO00	215FB93050GO00
1350lm-2590lm 940 11.5-24W	gold	45°	215FW94050GO00	215FB94050GO00
1340lm-2460lm 927 11.5-24W	black matt	40°	215FW92740BM00	215FB92740BM00
1400lm-2550lm 930 11.5-24W	black matt	40°	215FW93040BM00	215FB93040BM00
1370lm-2620lm 940 11.5-24W	black matt	40°	215FW94040BM00	215FB94040BM00
1320-2430lm 927 11.5-24W	copper	40°	215FW92750CO00	215FB92750CO00
1380-2520lm 930 11.5-24W	copper	40°	215FW93050CO00	215FB93050CO00
1350-2590lm 940 11.5-24W	copper	40°	215FW94050CO00	215FB94050CO00

Driver (250mA/33.2Vf) must be ordered separately.
For Light source energy class and identifier please consult the datasheet on our website.



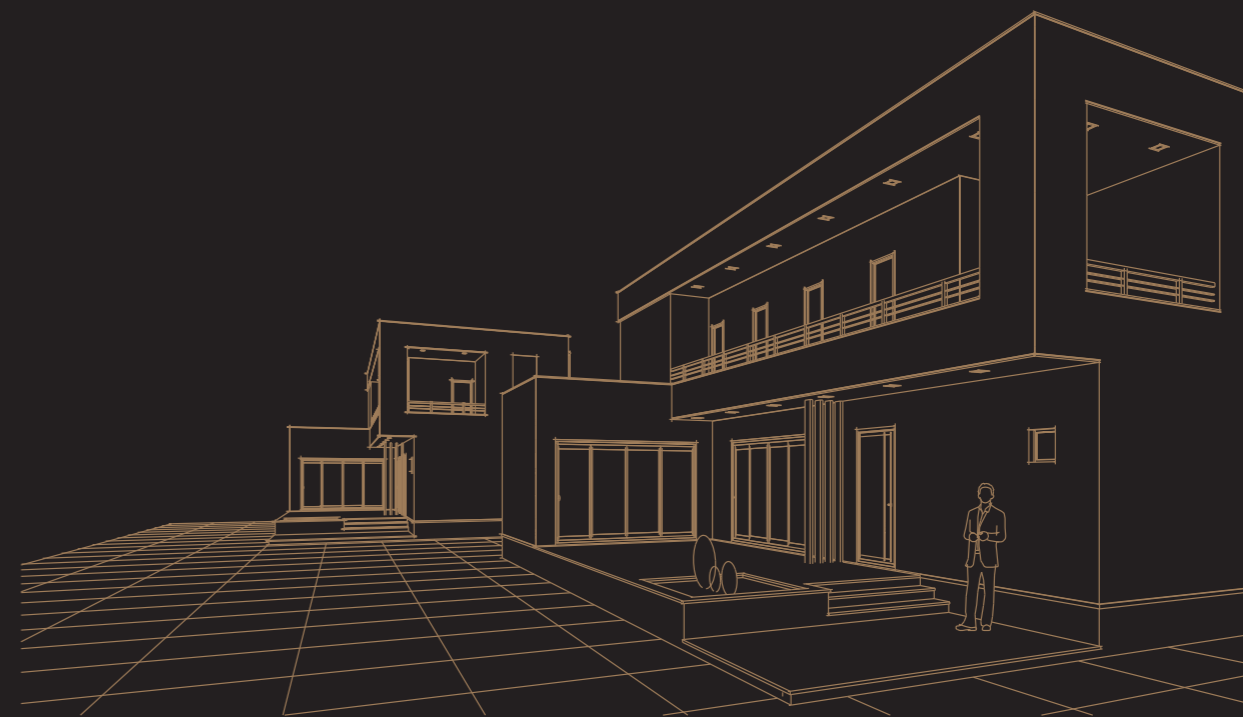
Dea Della Luce
By KARIZMA^{luce}



Dea Amor

really is a keeper.

What's not to love about the Dea Amor? His refined design, the stylish colour variants, the countless lighting options: the Dea Amor shows the best side of every room in his own loving way. This square recessed luminaire really is a keeper.

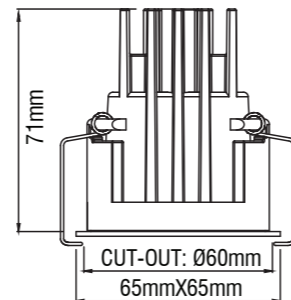


Dea Amor S.



Description	Reflector	Angle	White	Black
600lm 927 8.5W	black high gloss	60°	217CW92760BG00	217CB92760BG00
630lm 930 8.5W	black high gloss	60°	217CW93060BG00	217CB93060BG00
700lm 940 8.5W	black high gloss	60°	217CW94060BG00	217CB94060BG00
630lm 927 8.5W	silver high gloss	60°	217CW92760SG00	217CB92760SG00
670lm 930 8.5W	silver high gloss	60°	217CW93060SG00	217CB93060SG00
730lm 940 8.5W	silver high gloss	60°	217CW94060SG00	217CB94060SG00
620lm 927 8.5W	chrome	55°	217CW92755CH00	217CB92755CH00
660lm 930 8.5W	chrome	55°	217CW93055CH00	217CB93055CH00
720lm 940 8.5W	chrome	55°	217CW94055CH00	217CB94055CH00
620lm 927 8.5W	white	60°	217CW92760WH00	217CB92760WH00
650lm 930 8.5W	white	60°	217CW93060WH00	217CB93060WH00
700lm 940 8.5W	white	60°	217CW94060WH00	217CB94060WH00
600lm 927 8.5W	gold	55°	217CW92755GO00	217CB92755GO00
640lm 930 8.5W	gold	55°	217CW93055GO00	217CB93055GO00
700lm 940 8.5W	gold	55°	217CW94055GO00	217CB94055GO00
600lm 927 8.5W	black matt	60°	217CW92760BM00	217CB92760BM00
630lm 930 8.5W	black matt	60°	217CW93060BM00	217CB93060BM00
700lm 940 8.5W	black matt	60°	217CW94060BM00	217CB94060BM00
600lm 927 8.5W	copper	55°	217CW92755CO00	217CB92755CO00
640lm 930 8.5W	copper	55°	217CW93055CO00	217CB93055CO00
700lm 940 8.5W	copper	55°	217CW94055CO00	217CB94055CO00

Driver (250mA/31Vf) must be ordered separately.
For Light source energy class and identifier please consult the datasheet on our website.

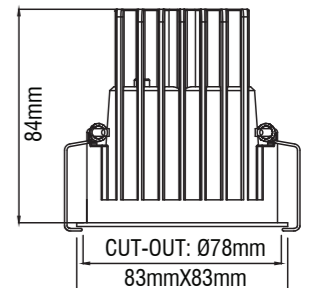


Dea Amor M.



Description	Reflector	Angle	White	Black
1080lm 927 12.5W	black high gloss	40°	216EW92740BG00	216EB92740BG00
1120lm 930 12.5W	black high gloss	40°	216EW93040BG00	216EB93040BG00
1130lm 940 12.5W	black high gloss	40°	216EW94040BG00	216EB94040BG00
1250lm 927 12.5W	silver high gloss	35°	216FW92735SG00	216FB92735SG00
1300lm 930 12.5W	silver high gloss	35°	216FW93035SG00	216FB93035SG00
1300lm 940 12.5W	silver high gloss	35°	216FW94035SG00	216FB94035SG00
1250lm 927 12.5W	chrome	40°	216FW92740CH00	216FB92740CH00
1300lm 930 12.5W	chrome	40°	216FW93040CH00	216FB93040CH00
1300lm 940 12.5W	chrome	40°	216FW94040CH00	216FB94040CH00
1170lm 927 12.5W	white	45°	216EW92745WH00	216EB92745WH00
1220lm 930 12.5W	white	45°	216EW93045WH00	216EB93045WH00
1220lm 940 12.5W	white	45°	216EW94045WH00	216EB94045WH00
1140lm 927 12.5W	gold	40°	216EW92740GO00	216EB92740GO00
1190lm 930 12.5W	gold	40°	216EW93040GO00	216EB93040GO00
1200lm 940 12.5W	gold	40°	216EW94040GO00	216EB94040GO00
1080lm 927 12.5W	black matt	40°	216EW92740BM00	216EB92740BM00
1120lm 930 12.5W	black matt	40°	216EW93040BM00	216EB93040BM00
1130lm 940 12.5W	black matt	40°	216EW94040BM00	216EB94040BM00
1140lm 927 12.5W	copper	40°	216EW92740CO00	216EB92740CO00
1190lm 930 12.5W	copper	40°	216EW93040CO00	216EB93040CO00
1200lm 940 12.5W	copper	40°	216EW94040CO00	216EB94040CO00

Driver (350mA/34.1Vf) must be ordered separately.
For Light source energy class and identifier please consult the datasheet on our website.





Dea Della Luce
By KARIZMA_{luce}



Dea Apollo
makes lighting extraordinary.

The fixed recessed spot Dea Apollo makes lighting extraordinary. This luminaire has been specially developed to illuminate under the most demanding conditions. With its charming appearance and robust IP65 protection, it is the perfect choice for bathrooms, balconies and verandas.



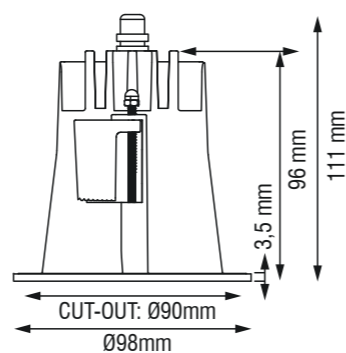
Dea Apollo.



Description	Reflector	Angle	White	Black
750lm 927 12W	white	35°	237EW92735WH00	237EB92735WH00
800lm 930 12W	white	35°	237EW93035WH00	237EB93035WH00
850lm 940 12W	white	35°	237EW94035WH00	237EB94035WH00
750lm 927 12W	black matt	35°	237EW92735BM00	237EB92735BM00
800lm 930 12W	black matt	35°	237EW93035BM00	237EB93035BM00
850lm 940 12W	black matt	35°	237EW94035BM00	237EB94035BM00
750lm 927 12W	gold	35°	237EW92735GO00	237EB92735GO00
800lm 930 12W	gold	35°	237EW93035GO00	237EB93035GO00
850lm 940 12W	gold	35°	237EW94035GO00	237EB94035GO00
750lm 927 12W	chrome	35°	237EW92735CH00	237EB92735CH00
800lm 930 12W	chrome	35°	237EW93035CH00	237EB93035CH00
850lm 940 12W	chrome	35°	237EW94035CH00	237EB94035CH00
750lm 927 12W	copper	35°	237EW92735CO00	237EB92735CO00
800lm 930 12W	copper	35°	237EW93035CO00	237EB93035CO00
850lm 940 12W	copper	35°	237EW94035CO00	237EB94035CO00

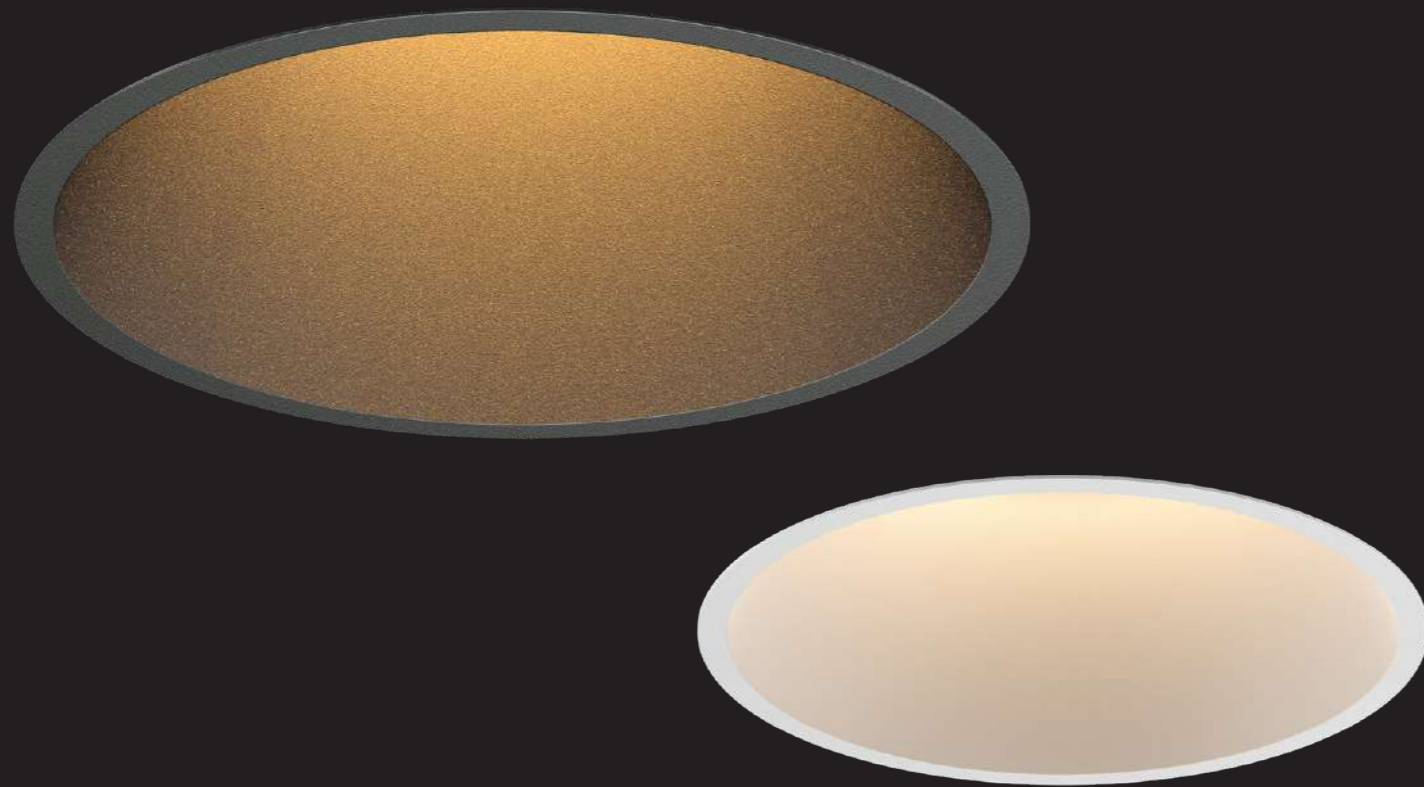
Driver (350mA/33Vf) must be ordered separately.

For Light source energy class and identifier please consult the datasheet on our website.



RECESSED LUMINAIRES FIXED

Delizia di Luce
By KARIZMA_{luce}



Profondo

a deep impression.

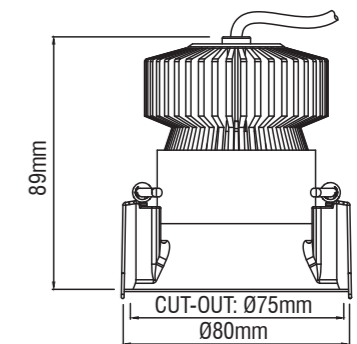
The Profondo is a fixed downlight with a deep recessed lamp position. Profondo means 'deep', and that is exactly what this luminaire does: it makes a deep impression. Not only because of the elegant looks, but also because of the unique wide range of available colours.

Profondo Basso.



Description	Angle	White	Black
720lm 927 9W	24°	202CW9272400	202CB9272400
730lm 930 9W	24°	202CW9302400	202CB9302400
950lm 840 9W	24°	202DW8402400	202DB8402400
720lm 927 9W	40°	202CW9274000	202CB9274000
730lm 930 9W	40°	202CW9304000	202CB9304000
950lm 840 9W	40°	202DW8404000	202DB8404000

Driver (350mA/33Vf) must be ordered separately.
For Light source energy class and identifier please consult the datasheet on our website.

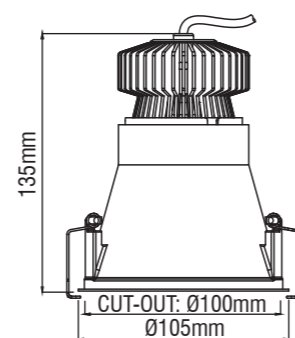


Profondo.



Description	Angle	White	Black
720lm 927 9W	24°	202CW9272400	202CB9272400
730lm 930 9W	24°	202CW9302400	202CB9302400
950lm 840 9W	24°	202DW8402400	202DB8402400
720lm 927 9W	40°	202CW9274000	202CB9274000
730lm 930 9W	40°	202CW9304000	202CB9304000
950lm 840 9W	40°	202DW8404000	202DB8404000

Driver (350mA/33Vf) must be ordered separately.



Delizia di Luce
By KARIZMA_{luce}



Bordo

surprisingly elegant.

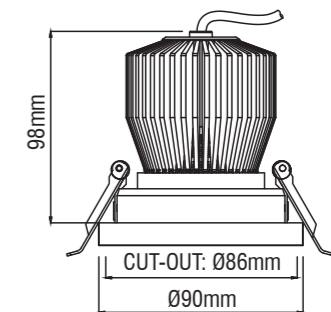
When it comes to wine, we select and drink a bottle based on all five of our senses – taste, smell, touch, sight and even sound. When it comes to a luminaire, besides the basic parameters like CCT, flux, efficiency, controls, we choose at first according to the design – material, size, shape, colour. Let the elegant Bordo surprise you.

Bordo.

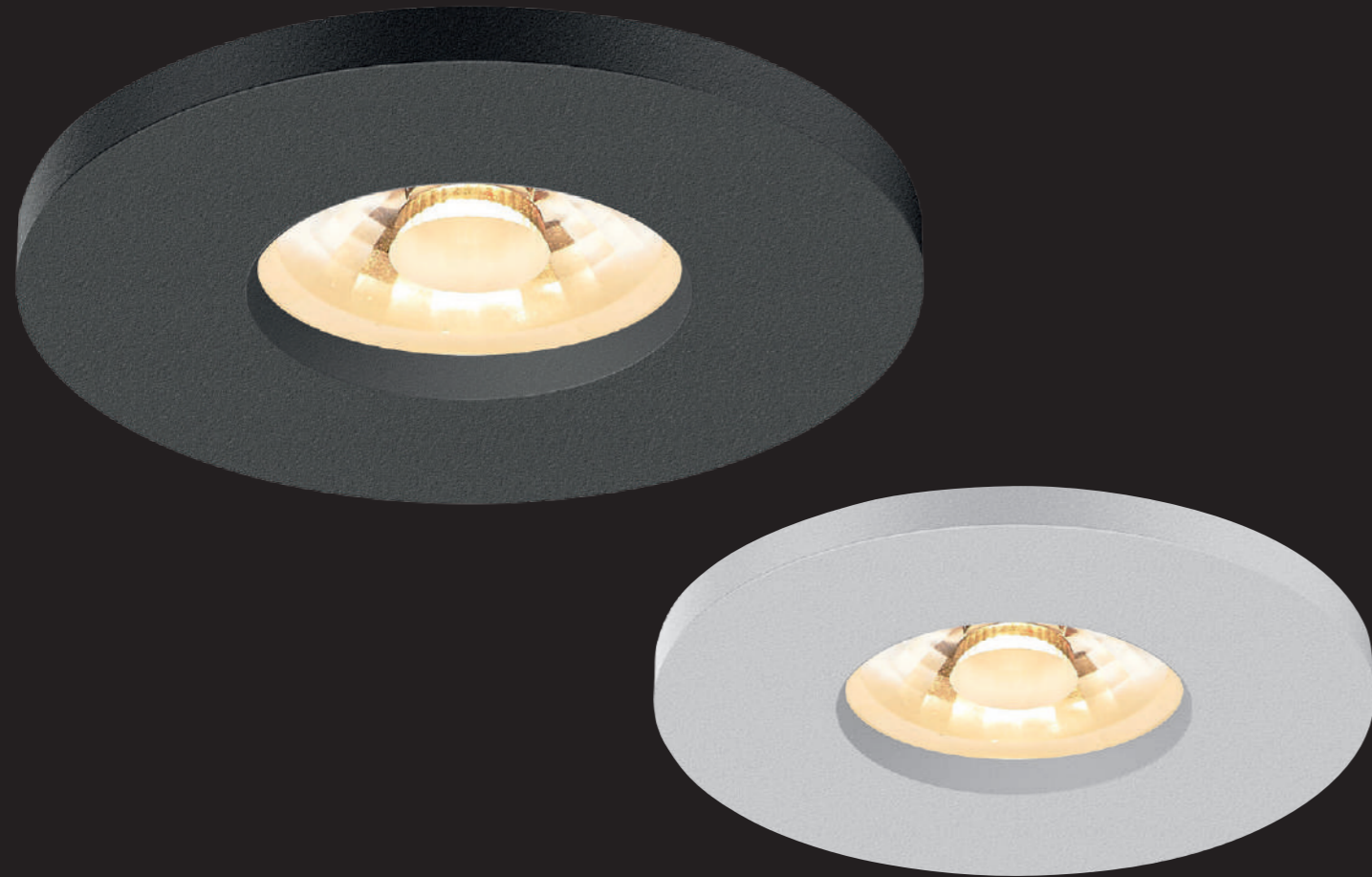


Description	Angle	White	Black
1275lm 927 12.5W	38°	205FW9273800	205FB9273800
1355lm 930 12.5W	38°	205FW9303800	205FB9303800
1450lm 940 12.5W	38°	205GW9403800	205GB9403800
1275lm 927 12.5W	45°	205FW9274500	205FB9274500
1355lm 930 12.5W	45°	205FW9304500	205FB9304500
1450lm 940 12.5W	45°	205GW9404500	205GB9404500

Driver (350mA/33.8-35.9Vf) must be ordered separately. For Light source energy class and identifier please consult the datasheet on our website.



Delizia di Luce
By KARIZMA_{luce}

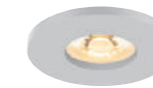


Splendore

turn luxurious into splendid.

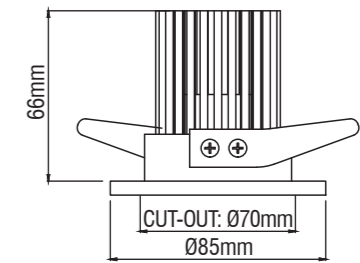
The Splendore is a fixed downlight with an optical lens. The bathroom is the ultimate place in your house to unwind. This luminaire provides the best combination of accent and task lighting with highest CRI, tunable white or different CCT possibilities, and dimming. The high IP rating for wet environments makes it a splendid waterproof lighting choice for luxurious bathrooms.

Splendore.



Description	Angle	White	Black
705lm 927 9W	22°	208CW9272200	208CB9272200
720lm 930 9W	22°	208CW9302200	208CB9302200
850lm 940 9W	22°	208DW9402200	208DB9402200
705lm 927 9W	36°	208CW9273600	208CB9273600
720lm 930 9W	36°	208CW9303600	208CB9303600
850lm 940 9W	36°	208DW9403600	208DB9403600
705lm 927 9W	60°	208CW9276000	208CB9276000
720lm 930 9W	60°	208CW9306000	208CB9306000
850lm 940 9W	60°	208DW9406000	208DB9406000

Driver (350mA/33.8-35.9Vf) must be ordered separately.



Delizia di Luce
By KARIZMA^{luce}



Piccolo Lente

boosting your atmosphere.

The Piccolo Lente is a fixed led downlight with a recessed lamp position and optical lens.

The different beam angles and colours, together with the high CRI makes the compact

Karizma Luce Piccolo Lente a little yet very powerful downlight.

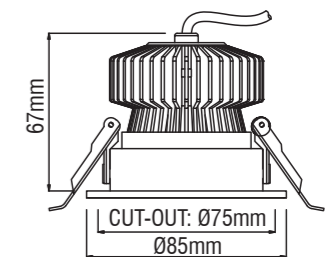
KARIZMA^{luce}

Piccolo Lente.



Description	Angle	White	Black
705lm 927 9W	22°	209CW9272200	209CB9272200
720lm 930 9W	22°	209CW9302200	209CB9302200
850lm 940 9W	22°	209DW9402200	209DB9402200
705lm 927 9W	36°	209CW9273600	209CB9273600
720lm 930 9W	36°	209CW9303600	209CB9303600
850lm 940 9W	36°	209DW9403600	209DB9403600
705lm 927 9W	60°	209CW9276000	209CB9276000
720lm 930 9W	60°	209CW9306000	209CB9306000
850lm 940 9W	60°	209DW9406000	209DB9406000

Driver (350mA/33.8-35.9Vf) must be ordered separately.
For Light source energy class and identifier please consult the datasheet on our website.



RECESSED LUMINAIRES **FIXED.**

Delizia di Luce
By KARIZMA_{luce}



Piccolo

boosting your atmosphere.

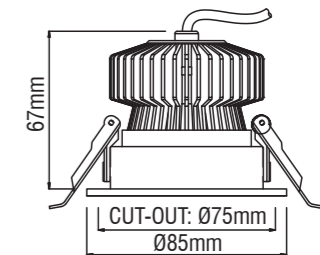
The Piccolo is a small cute spot that creates a romantic and magical atmosphere in restaurants, bars or at home by reducing CCT to 2000K. Dim your lighting and warm your space: the Karizma Luce Piccolo boosts your relaxing evening.

Piccolo.



Description	Angle	White	Black
705lm 927 9W	24°	210CW9272400	210CB9272400
720lm 930 9W	24°	210CW9302400	210CB9302400
850lm 940 9W	24°	210DW9402400	210DB9402400
705lm 927 9W	40°	210CW9274000	210CB9274000
720lm 930 9W	40°	210CW9304000	210CB9304000
850lm 940 9W	40°	210DW9404000	210DB9404000

Driver (350mA/33.8-35.9Vf) must be ordered separately.
For Light source energy class and identifier please consult the datasheet on our website.





Delizia di Luce
By KARIZMA_{luce}

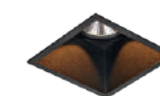


Emozione

because light is emotion.

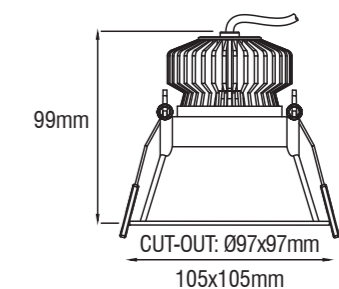
The Emozione is a fixed led downlight. The recessed lamp position and square look make a gentle but powerful addition to your lighting plan. The Karizma Luce Emozione suits perfectly in hotels, restaurants, lobbies and hallways. Basically, every space which can use a touch of emotion.

Emozione.



Description	Angle	White	Black
705lm 927 9W	30°	206CW9273000	206CB9273000
720lm 930 9W	30°	206CW9303000	206CB9303000
850lm 940 9W	30°	206DW9403000	206DB9403000
705lm 927 9W	45°	206CW9274500	206CB9274500
720lm 930 9W	45°	206CW9304500	206CB9304500
850lm 940 9W	45°	206DW9404500	206DB9404500

Driver (500mA/18.4Vf) must be ordered separately.
For Light source energy class and identifier please consult the datasheet on our website.



Delizia di Luce
By KARIZMA_{luce}



Tre

uniting form and function.

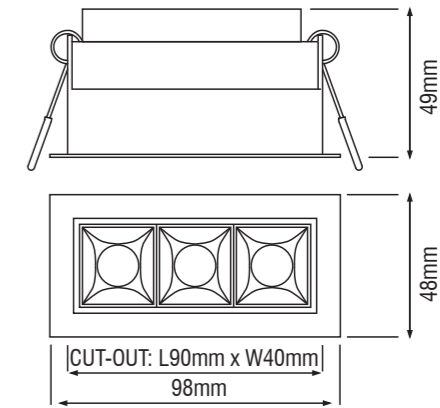
This linear luminaire Tre includes 3 (Tre) light sources, has very low glare (UGR <19) and offers 3 different beam angles options (15°, 30°, 45°). Thanks to these options and low installation height it is an ideal solution for corridors, pathways, or narrow hallways. The maximum visual comfort makes the luminaire suitable for residential, commercial, or retail applications.

Tre.



Description	Angle	White	Black
500lm 927 8W	15°	301CW92715F0	301CB92715F0
550lm 930 8W	15°	301CW93015F0	301CB93015F0
500lm 927 8W	30°	301CW92730F0	301CB92730F0
550lm 930 8W	30°	301CW93030F0	301CB93030F0
500lm 927 8W	45°	301CW92745F0	301CB92745F0
550lm 930 8W	45°	301CW93045F0	301CB93045F0

Driver (500mA/18.4Vf) must be ordered separately.





Sei *functional and highly efficient.*

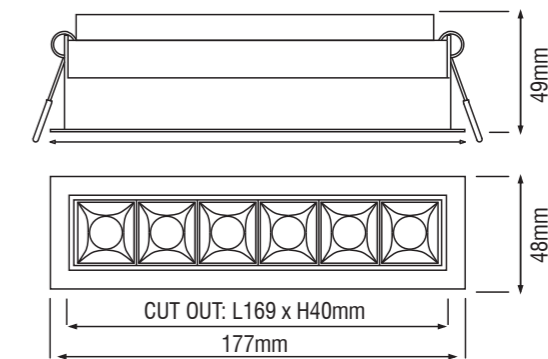
This linear luminaire Sei includes 6 (Sei) light sources, has very low glare (UGR <19) and offers 3 different beam angles options (15°, 30°, 45°). Thanks to these options and low installation height it is an ideal solution for corridors, pathways, or narrow hallways. The maximum visual comfort makes the luminaire suitable for residential, commercial, or retail applications.

Sei.

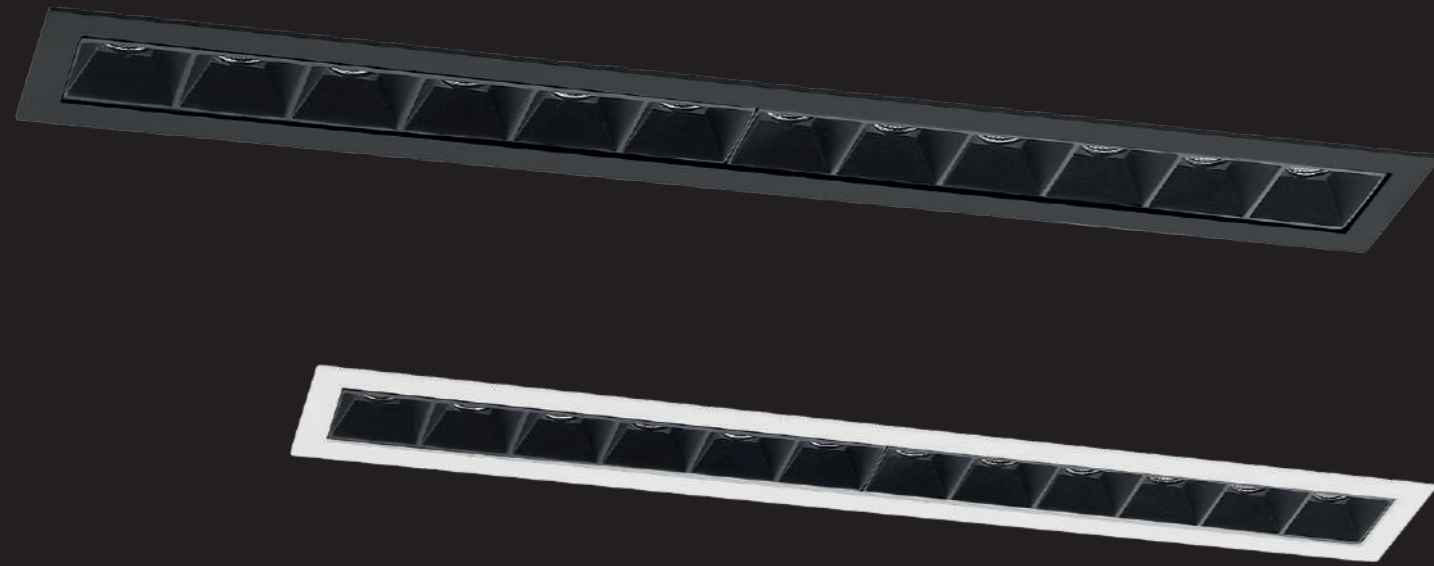


Description	Angle	White	Black
760lm 927 10W	15°	302DW92715F0	302DB92715F0
850lm 930 10W	15°	302DW93015F0	302DB93015F0
760lm 927 10W	30°	302DW92730F0	302DB92730F0
850lm 930 10W	30°	302DW93030F0	302DB93030F0
760lm 927 10W	45°	302DW92745F0	302DB92745F0
850lm 930 10W	45°	302DW93045F0	302DB93045F0

For Light source energy class and identifier please consult the datasheet on our website.



Delizia di Luce
By KARIZMA_{luce}



Dodici

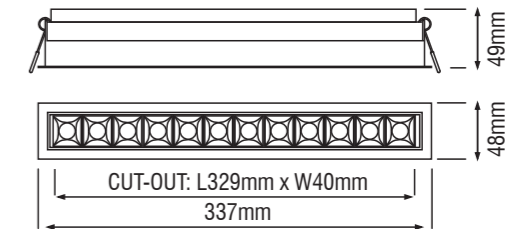
powerfull, yet balanced.

This linear luminaire Dodici includes 12 (Dodici) light sources, has very low glare (UGR <19) and offers 3 different beam angles options (15°, 30°, 45°). Thanks to these options and low installation height it is an ideal solution for corridors, pathways, or narrow hallways. The maximum visual comfort makes the luminaire suitable for residential, commercial, or retail applications.

Dodici.



Description	Angle	White	Black
1550lm 927 19.5W	15°	303GW92715F0	303GB92715F0
1650lm 930 19.5W	15°	303GW93015F0	303GB93015F0
1550lm 927 19.5W	30°	303GW92730F0	303GB92730F0
1650lm 930 19.5W	30°	303GW93030F0	303GB93030F0
1550lm 927 19.5W	45°	303GW92745F0	303GB92745F0
1650lm 930 19.5W	45°	303GW93045F0	303GB93045F0



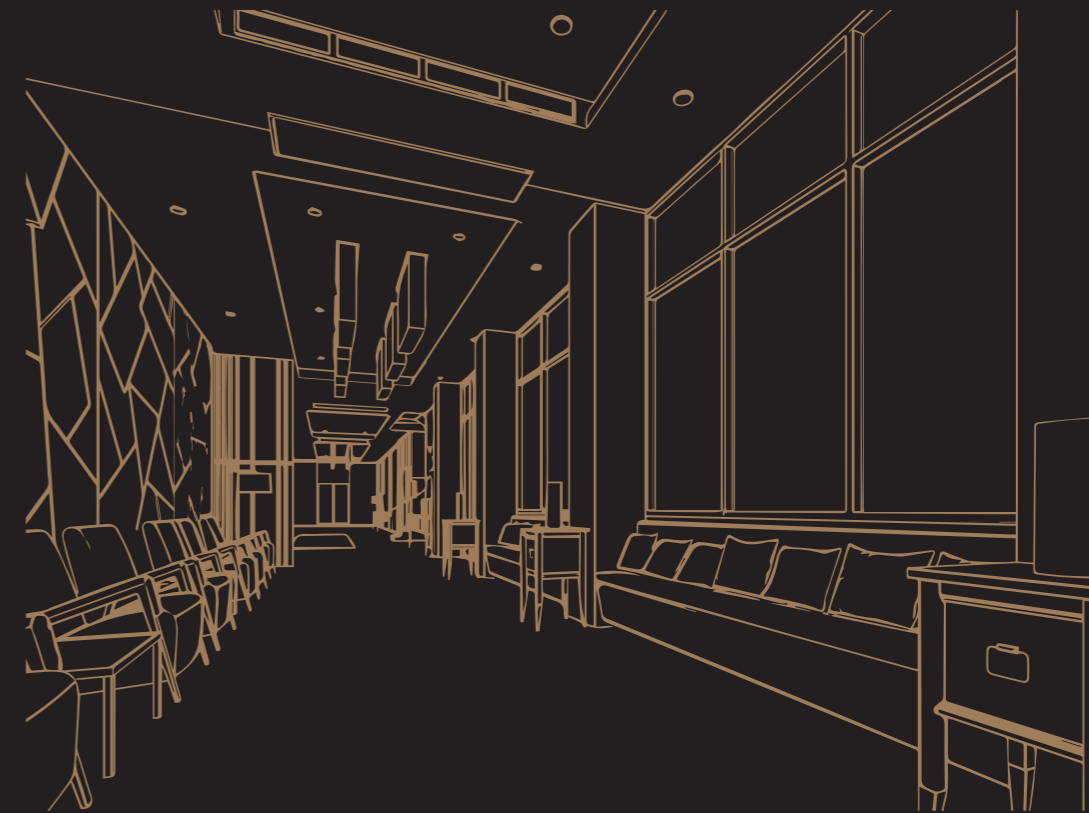
Recessed
luminaires
adjustable

Dea Della Luce
By KARIZMA^{luce}



Dea Carmenta
a true piece of art.

A true piece of art, just by the design itself. This beautiful adjustable luminaire offers a wide selection of different colours in reflectors. Thanks to its low glare, the Dea Carmenta gracefully enriches workspaces and offices, especially when you choose the White or Silver reflector. Go Black or Gold if you want to put an extra dimension to hotel or restaurant atmospheres.

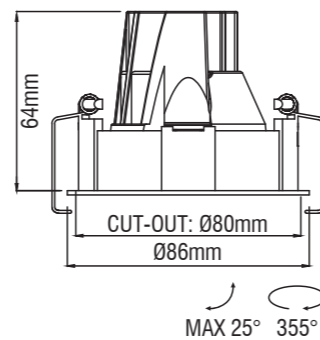


Dea Carmenta S.



		Description	Reflector	Angle	White	Black
		830lm 927 8.5W	black high gloss	40°	128DW92740BG00	128DB92740BG00
		860lm 930 8.5W	black high gloss	40°	128DW93040BG00	128DB93040BG00
		870lm 940 8.5W	black high gloss	40°	128DW94040BG00	128DB94040BG00
		900lm 927 8.5W	silver high gloss	40°	128DW92740SG00	128DB92740SG00
		950lm 930 8.5W	silver high gloss	40°	128DW93040SG00	128DB93040SG00
		960lm 940 8.5W	silver high gloss	40°	128DW94040SG00	128DB94040SG00
		890lm 927 8.5W	chrome	40°	128DW92740CH00	128DB92740CH00
		930lm 930 8.5W	chrome	40°	128DW93040CH00	128DB93040CH00
		940lm 940 8.5W	chrome	40°	128DW94040CH00	128DB94040CH00
		840lm 927 8.5W	white	40°	128DW92740WH00	128DB92740WH00
		880lm 930 8.5W	white	40°	128DW93040WH00	128DB93040WH00
		890lm 940 8.5W	white	40°	128DW94040WH00	128DB94040WH00
		840lm 927 8.5W	gold	40°	128DW92740GO00	128DB92740GO00
		880lm 930 8.5W	gold	40°	128DW93040GO00	128DB93040GO00
		890lm 940 8.5W	gold	40°	128DW94040GO00	128DB94040GO00
		760lm 927 8.5W	black matt	40°	128DW92740BM00	128DB92740BM00
		800lm 930 8.5W	black matt	40°	128DW93040BM00	128DB93040BM00
		810lm 940 8.5W	black matt	40°	128DW94040BM00	128DB94040BM00
		840lm 927 8.5W	copper	40°	128DW92740CO00	128DB92740CO00
		880lm 930 8.5W	copper	40°	128DW93040CO00	128DB93040CO00
		890lm 940 8.5W	copper	40°	128DW94040CO00	128DB94040CO00

Driver (250mA/33.2Vf) must be ordered separately.
For Light source energy class and identifier please consult the datasheet on our website.

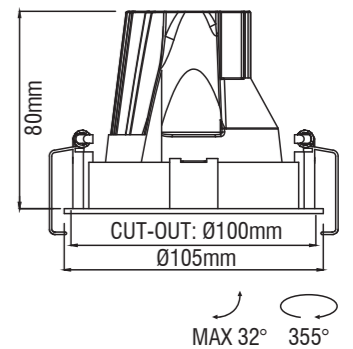


Dea Carmenta M.



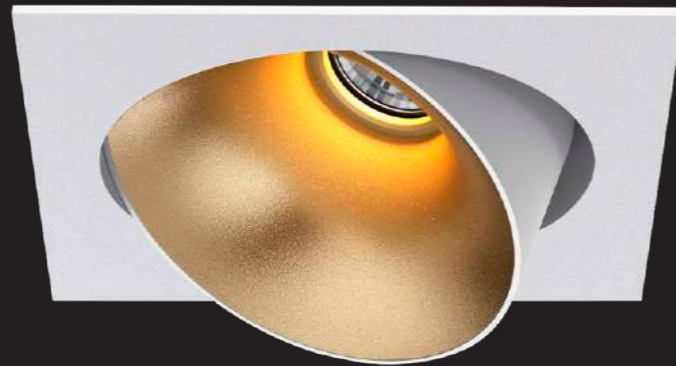
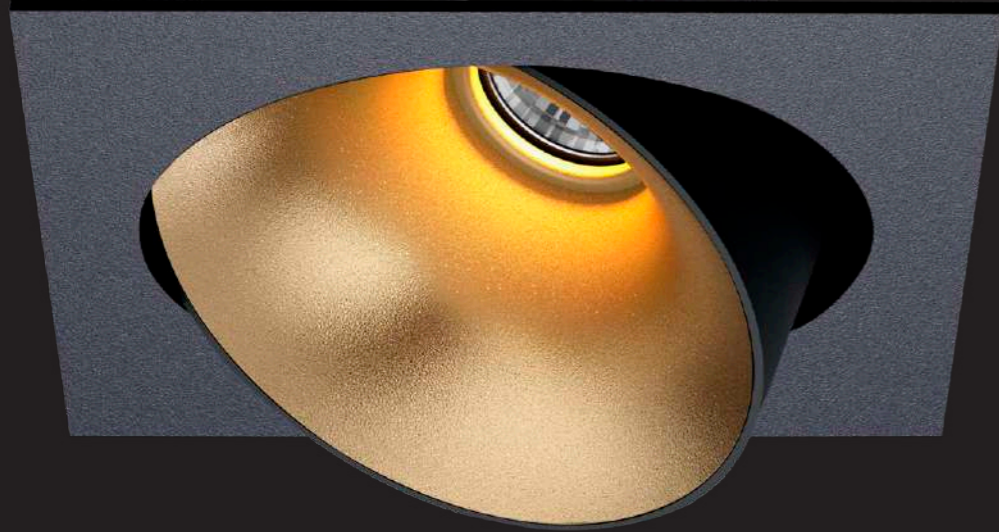
		Description	Reflector	Angle	White	Black
		1140lm 927 12.5W	black high gloss	40°	130EW92740BG00	130EB92740BG00
		1180lm 930 12.5W	black high gloss	40°	130EW93040BG00	130EB93040BG00
		1200lm 940 12.5W	black high gloss	40°	130EW94040BG00	130EB94040BG00
		1240lm 927 12.5W	silver high gloss	40°	130EW92740SG00	130EB92740SG00
		1290lm 930 12.5W	silver high gloss	40°	130FW93040SG00	130FB93040SG00
		1300lm 940 12.5W	silver high gloss	40°	130FW94040SG00	130FB94040SG00
		1200lm 927 12.5W	chrome	40°	130EW92740CH00	130EB92740CH00
		1260lm 930 12.5W	chrome	40°	130FW93040CH00	130FB93040CH00
		1270lm 940 12.5W	chrome	40°	130FW94040CH00	130FB94040CH00
		1160lm 927 12.5W	white	40°	130EW92740WH00	130EB92740WH00
		1200lm 930 12.5W	white	40°	130EW93040WH00	130EB93040WH00
		1220lm 940 12.5W	white	40°	130EW94040WH00	130EB94040WH00
		1160lm 927 12.5W	gold	40°	130EW92740GO00	130EB92740GO00
		1200lm 930 12.5W	gold	40°	130EW93040GO00	130EB93040GO00
		1220lm 940 12.5W	gold	40°	130EW94040GO00	130EB94040GO00
		1060lm 927 12.5W	black matt	40°	130EW92740BM00	130EB92740BM00
		1120lm 930 12.5W	black matt	40°	130EW93040BM00	130EB93040BM00
		1130lm 940 12.5W	black matt	40°	130EW94040BM00	130EB94040BM00
		1160lm 927 12.5W	copper	40°	130EW92740CO00	130EB92740CO00
		1200lm 930 12.5W	copper	40°	130EW93040CO00	130EB93040CO00
		1220lm 940 12.5W	copper	40°	130EW94040CO00	130EB94040CO00

Driver (350mA/34.1Vf) must be ordered separately.
For Light source energy class and identifier please consult the datasheet on our website.





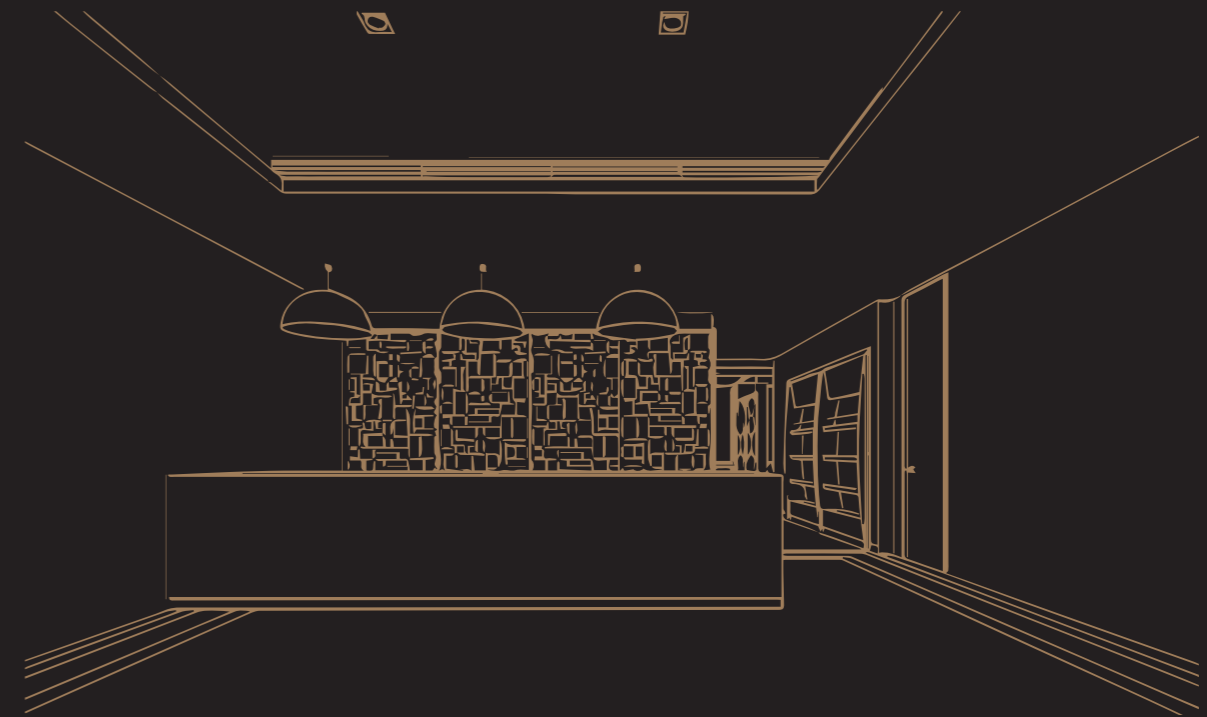
Dea Della Luce
By KARIZMA_{luce}



Dea Ceres

adds a touch of magic.

Looking for an even more modern look? The square Dea Ceres adds a touch of magic wherever you want, exactly how you want it. The fresh and modern design makes this luminaire an excellent addition to every office. Choose the White, Silver or Chrome variants and 4000K to create even more fresh working conditions. Gold and Black guarantee a warm and classy output.

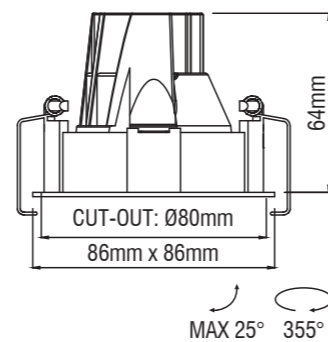


Dea Ceres S.



		Description	Reflector	Angle	White	Black
		830lm 927 8.5W	black high gloss	40°	129DW92740BG00	129DB92740BG00
		860lm 930 8.5W	black high gloss	40°	129DW93040BG00	129DB93040BG00
		870lm 940 8.5W	black high gloss	40°	129DW94040BG00	129DB94040BG00
		900lm 927 8.5W	silver high gloss	40°	129DW92740SG00	129DB92740SG00
		950lm 930 8.5W	silver high gloss	40°	129DW93040SG00	129DB93040SG00
		960lm 940 8.5W	silver high gloss	40°	129DW94040SG00	129DB94040SG00
		890lm 927 8.5W	chrome	40°	129DW92740CH00	129DB92740CH00
		930lm 930 8.5W	chrome	40°	129DW93040CH00	129DB93040CH00
		940lm 940 8.5W	chrome	40°	129DW94040CH00	129DB94040CH00
		840lm 927 8.5W	white	40°	129DW92740WH00	129DB92740WH00
		880lm 930 8.5W	white	40°	129DW93040WH00	129DB93040WH00
		890lm 940 8.5W	white	40°	129DW94040WH00	129DB94040WH00
		840lm 927 8.5W	gold	40°	129DW92740GO00	129DB92740GO00
		880lm 930 8.5W	gold	40°	129DW93040GO00	129DB93040GO00
		890lm 940 8.5W	gold	40°	129DW94040GO00	129DB94040GO00
		760lm 927 8.5W	black matt	40°	129DW92740BM00	129DB92740BM00
		800lm 930 8.5W	black matt	40°	129DW93040BM00	129DB93040BM00
		810lm 940 8.5W	black matt	40°	129DW94040BM00	129DB94040BM00
		840lm 927 8.5W	copper	40°	129DW92740CO00	129DB92740CO00
		880lm 930 8.5W	copper	40°	129DW93040CO00	129DB93040CO00
		890lm 940 8.5W	copper	40°	129DW94040CO00	129DB94040CO00

Driver (250mA/33.2Vf) must be ordered separately.
For Light source energy class and identifier please consult the datasheet on our website.

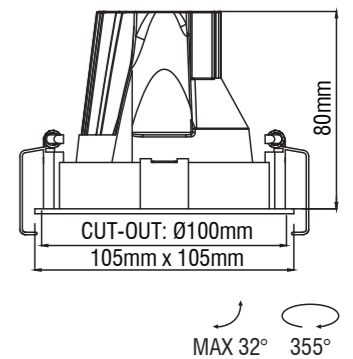


Dea Ceres M.

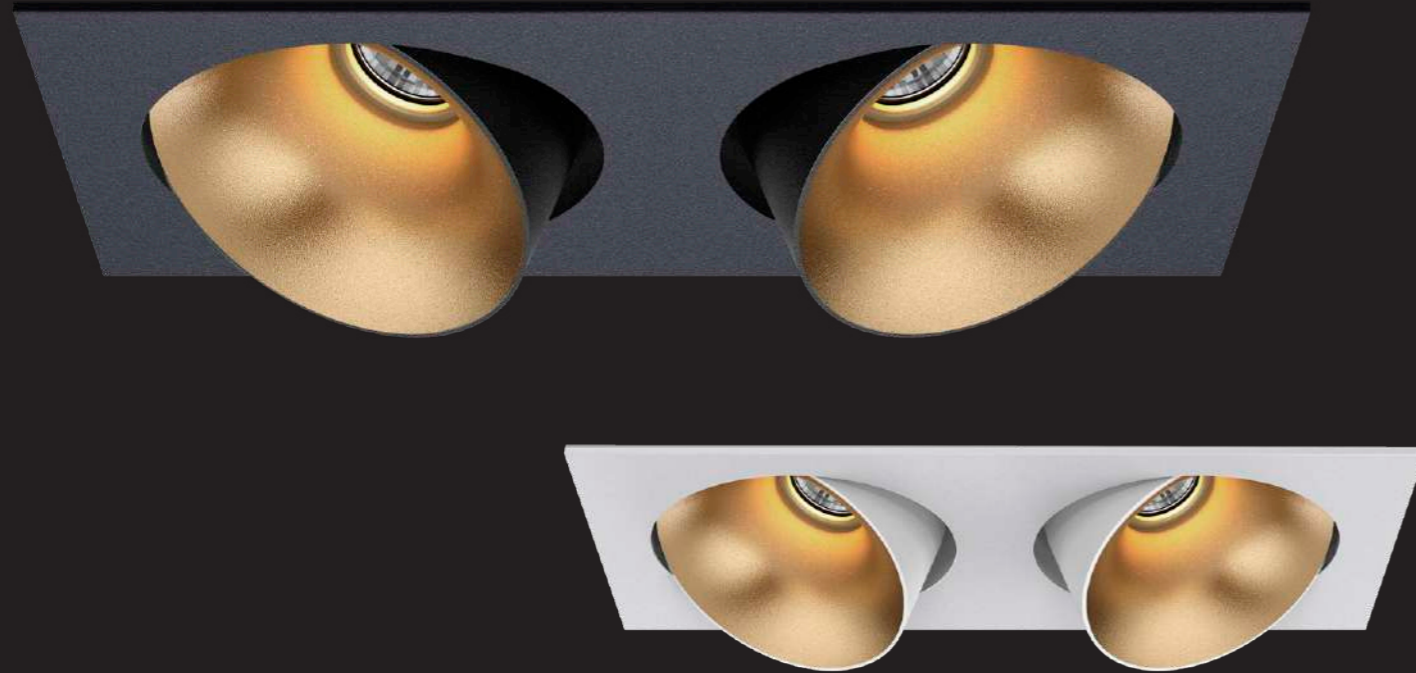


		Description	Reflector	Angle	White	Black
		1140lm 927 12.5W	black high gloss	40°	131EW92740BG00	131EB92740BG00
		1180lm 930 12.5W	black high gloss	40°	131EW93040BG00	131EB93040BG00
		1200lm 940 12.5W	black high gloss	40°	131EW94040BG00	131EB94040BG00
		1240lm 927 12.5W	silver high gloss	40°	131EW92740SG00	131EB92740SG00
		1290lm 930 12.5W	silver high gloss	40°	131FW93040SG00	131FB93040SG00
		1300lm 940 12.5W	silver high gloss	40°	131FW94040SG00	131FB94040SG00
		1200lm 927 12.5W	chrome	40°	131EW92740CH00	131EB92740CH00
		1260lm 930 12.5W	chrome	40°	131FW93040CH00	131FB93040CH00
		1270lm 940 12.5W	chrome	40°	131FW94040CH00	131FB94040CH00
		1160lm 927 12.5W	white	40°	131EW92740WH00	131EB92740WH00
		1200lm 930 12.5W	white	40°	131EW93040WH00	131EB93040WH00
		1220lm 940 12.5W	white	40°	131EW94040WH00	131EB94040WH00
		1160lm 927 12.5W	gold	40°	131EW92740GO00	131EB92740GO00
		1200lm 930 12.5W	gold	40°	131EW93040GO00	131EB93040GO00
		1220lm 940 12.5W	gold	40°	131EW94040GO00	131EB94040GO00
		1060lm 927 12.5W	black matt	40°	131EW92740BM00	131EB92740BM00
		1120lm 930 12.5W	black matt	40°	131EW93040BM00	131EB93040BM00
		1130lm 940 12.5W	black matt	40°	131EW94040BM00	131EB94040BM00
		1160lm 927 12.5W	copper	40°	131EW92740CO00	131EB92740CO00
		1200lm 930 12.5W	copper	40°	131EW93040CO00	131EB93040CO00
		1220lm 940 12.5W	copper	40°	131EW94040CO00	131EB94040CO00

Driver (250mA/33.2Vf) must be ordered separately.
For Light source energy class and identifier please consult the datasheet on our website.



Dea Della Luce
By KARIZMA_{luce}



Dea Concordia
double the possibilities.

Let's double up! The same charming looks and double the possibilities. Just adjust your beam angle and flux according to your required illumination. Create exactly your atmosphere of choice thanks to the various colours and dim to warm option. The high CRI and 4000K possibilities enable the Dea Concordia to freshen up any office. Available in small and medium size.

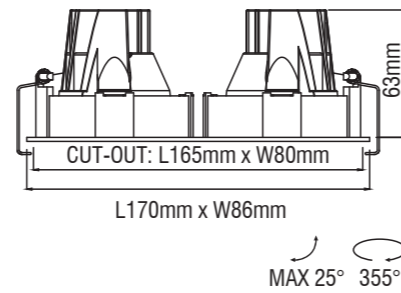


Dea Concordia S.



Description		Reflector	Angle	White	Black
	2x830lm 927 2x8.5W	black high gloss	40°	132DW92740BG00	132DB92740BG00
	2x860lm 930 2x8.5W	black high gloss	40°	132DW93040BG00	132DB93040BG00
	2x870lm 940 2x8.5W	black high gloss	40°	132DW94040BG00	132DB94040BG00
	2x900lm 927 2x8.5W	silver high gloss	40°	132DW92740SG00	132DB92740SG00
	2x950lm 930 2x8.5W	silver high gloss	40°	132DW93040SG00	132DB93040SG00
	2x960lm 940 2x8.5W	silver high gloss	40°	132DW94040SG00	132DB94040SG00
	2x890lm 927 2x8.5W	chrome	40°	132DW92740CH00	132DB92740CH00
	2x930lm 930 2x8.5W	chrome	40°	132DW93040CH00	132DB93040CH00
	2x940lm 940 2x8.5W	chrome	40°	132DW94040CH00	132DB94040CH00
	2x840lm 927 2x8.5W	white	40°	132DW92740WH00	132DB92740WH00
	2x880lm 930 2x8.5W	white	40°	132DW93040WH00	132DB93040WH00
	2x890lm 940 2x8.5W	white	40°	132DW94040WH00	132DB94040WH00
	2x840lm 927 2x8.5W	gold	40°	132DW92740GO00	132DB92740GO00
	2x880lm 930 2x8.5W	gold	40°	132DW93040GO00	132DB93040GO00
	2x890lm 940 2x8.5W	gold	40°	132DW94040GO00	132DB94040GO00
	2x760lm 927 2x8.5W	black matt	40°	132DW92740BM00	132DB92740BM00
	2x800lm 930 2x8.5W	black matt	40°	132DW93040BM00	132DB93040BM00
	2x810lm 940 2x8.5W	black matt	40°	132DW94040BM00	132DB94040BM00
	2x840lm 927 2x8.5W	copper	40°	132DW92740CO00	132DB92740CO00
	2x880lm 930 2x8.5W	copper	40°	132DW93040CO00	132DB93040CO00
	2x890lm 940 2x8.5W	copper	40°	132DW94040CO00	132DB94040CO00

Driver (250mA/33.2Vf) must be ordered separately.
For Light source energy class and identifier please consult the datasheet on our website.

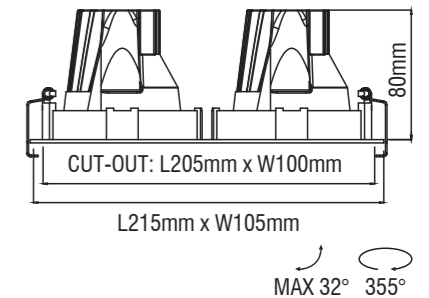


Dea Concordia M.



Description		Reflector	Angle	White	Black
	2x1140lm 927 2x12.5W	black high gloss	40°	133EW92740BG00	133EB92740BG00
	2x1180lm 930 2x12.5W	black high gloss	40°	133EW93040BG00	133EB93040BG00
	2x1200lm 940 2x12.5W	black high gloss	40°	133EW94040BG00	133EB94040BG00
	2x1240lm 927 2x12.5W	silver high gloss	40°	133EW92740SG00	133EB92740SG00
	2x1290lm 930 2x12.5W	silver high gloss	40°	133FW93040SG00	133FB93040SG00
	2x1300lm 940 2x12.5W	silver high gloss	40°	133FW94040SG00	133FB94040SG00
	2x1200lm 927 2x12.5W	chrome	40°	133EW92740CH00	133EB92740CH00
	2x1260lm 930 2x12.5W	chrome	40°	133FW93040CH00	133FB93040CH00
	2x1270lm 940 2x12.5W	chrome	40°	133FW94040CH00	133FB94040CH00
	2x1160lm 927 2x12.5W	white	40°	133EW92740WH00	133EB92740WH00
	2x1200lm 930 2x12.5W	white	40°	133EW93040WH00	133EB93040WH00
	2x1220lm 940 2x12.5W	white	40°	133EW94040WH00	133EB94040WH00
	2x1160lm 927 2x12.5W	gold	40°	133EW92740GO00	133EB92740GO00
	2x1200lm 930 2x12.5W	gold	40°	133EW93040GO00	133EB93040GO00
	2x1220lm 940 2x12.5W	gold	40°	133EW94040GO00	133EB94040GO00
	2x1060lm 927 2x12.5W	black matt	40°	133EW92740BM00	133EB92740BM00
	2x1120lm 930 2x12.5W	black matt	40°	133EW93040BM00	133EB93040BM00
	2x1130lm 940 2x12.5W	black matt	40°	133EW94040BM00	133EB94040BM00
	2x1160lm 927 2x12.5W	copper	40°	133EW92740CO00	133EB92740CO00
	2x1200lm 930 2x12.5W	copper	40°	133EW93040CO00	133EB93040CO00
	2x1220lm 940 2x12.5W	copper	40°	133EW94040CO00	133EB94040CO00

Driver (350mA/34.1Vf) must be ordered separately.
For Light source energy class and identifier please consult the datasheet on our website.





Delizia di Luce
By KARIZMA_{luce}



Cira

for gentle nuances.

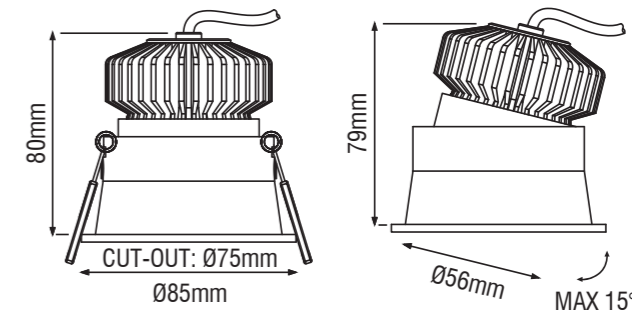
Meet the Cira. This small adjustable spot with a recessed module position is equipped with an aluminium 30° or 45° reflector. The spot can be tilted up to 15°, so that you can gently create nuances in every interior. Optimize your lighting project with visual comfort, efficiency and light quality of the highest level.

Cira.



Description	Angle	White	Black
705lm 927 9W	30°	107CW9273000	107CB9273000
720lm 930 9W	30°	107CW9303000	107CB9303000
850lm 940 9W	30°	107DW9403000	107DB9403000
705lm 927 9W	45°	107CW9274500	107CB9274500
720lm 930 9W	45°	107CW9304500	107CB9304500
850lm 940 9W	45°	107DW9404500	107DB9404500

Driver (350mA/33.8-35.9Vf) must be ordered separately.
For Light source energy class and identifier please consult the datasheet on our website.



Delizia di Luce
By KARIZMA^{luce}



Popolare lente *meet our popular luminaire.*

The Popolare Lente is a deep recessed led module with optical lens. This helps to create a calm and clean lighting atmosphere in hotel rooms, hallways, lobby's and restaurants. The Karizma Luce Popolare Lente is very popular amongst architects and is often used in hospitality lighting.

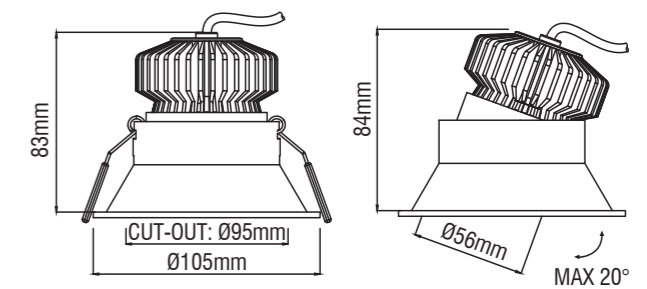
KARIZMA^{luce}

Popolare lente.



Description	Angle	White	Black
705lm 927 9W	22°	108CW9272200	108CB9272200
720lm 930 9W	22°	108CW9302200	108CB9302200
850lm 940 9W	22°	108DW9402200	108DB9402200
705lm 927 9W	36°	108CW9273600	108CB9273600
720lm 930 9W	36°	108CW9303600	108CB9303600
850lm 940 9W	36°	108DW9403600	108DB9403600
705lm 927 9W	60°	108CW9276000	108CB9276000
720lm 930 9W	60°	108CW9306000	108CB9306000
850lm 940 9W	60°	108DW9406000	108DB9406000

Driver (500mA/18.4Vf) must be ordered separately.
For Light source energy class and identifier please consult the datasheet on our website.



RECESSED LUMINAIRES **ADJUSTABLE.**

Delizia di Luce
By KARIZMA_{luce}



Popolare

meet our popular luminaire.

The Popolare is one of the most popular recessed downlights from our portfolio, mainly due to its variability: different beam angles, tiltable up to 20°. The Karizma Luce Popolare has a dim to warm option for comfortable relaxing light, which makes it perfect for hospitality lighting and residential lighting.

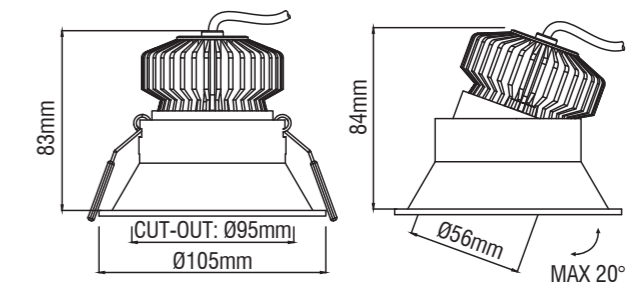
KARIZMA_{luce}

Popolare.



Description	Angle	White	Black
705lm 927 9W	30°	109CW9273000	109CB9273000
720lm 930 9W	30°	109CW9303000	109CB9303000
850lm 940 9W	30°	109DW9403000	109DB9403000
705lm 927 9W	45°	109CW9274500	109CB9274500
720lm 930 9W	45°	109CW9304500	109CB9304500
850lm 940 9W	45°	109DW9404500	109DB9404500

Driver (500mA/18.4Vf) must be ordered separately.
For Light source energy class and identifier please consult the datasheet on our website.



RECESSED LUMINAIRES **ADJUSTABLE.**



Delizia di Luce
By KARIZMA_{luce}



Luna

supernatural.

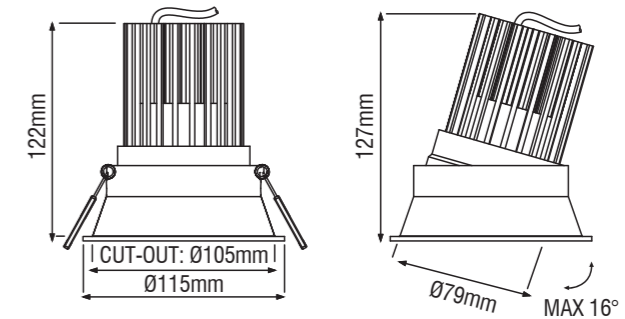
Just like the moon, Luna provides supernatural delight, creates a pleasant relaxing atmosphere and adjusts to your needs by different options of CCT (2000-4000K) and CRI (up to >93). The LED module (14W) is positioned deeply to avoid a glare and the high IP54 protection makes the Luna perfect for use in a luxurious bathroom or kitchen.

Luna.



Description	Angle	White	Black
1240lm 927 12W	36°	110EW9273600	110EB9273600
1280lm 930 12W	36°	110FW9303600	110FB9303600
1350lm 940 12W	36°	110GW9403600	110GB9403600

Driver (350mA/33.8-35.9Vf) must be ordered separately.
For Light source energy class and identifier please consult the datasheet on our website.



Delizia di Luce
By KARIZMA_{luce}



Dimora *always enchanting.*

The Dimora is an adjustable led downlight. Choose a 24°, 36° or 44° aluminium reflector and create a lighting experience that enchants visitors over and over again. The Karizma Luce Dimora fits perfectly in any residential lighting project: in the kitchen, living, bedroom or entrance.

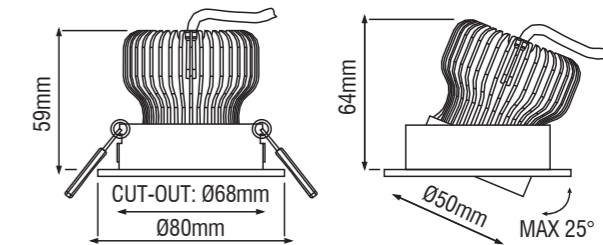
KARIZMA_{luce}

Dimora.



Description	Angle	White	Black
705lm 927 9W	24°	112CW9272400	112CB9272400
720lm 930 9W	24°	112CW9302400	112CB9302400
910lm 940 9W	24°	112DW9402400	112DB9402400
705lm 927 9W	40°	112CW9274000	112CB9274000
720lm 930 9W	40°	112CW9304000	112CB9304000
910lm 940 9W	40°	112DW9404000	112DB9404000

Driver (500mA/18.4Vf) must be ordered separately.
For Light source energy class and identifier please consult the datasheet on our website.



RECESSED LUMINAIRES **ADJUSTABLE.**

Delizia di Luce
By KARIZMA^{luce}



Minimo Lente

minimalistic made fantastic.

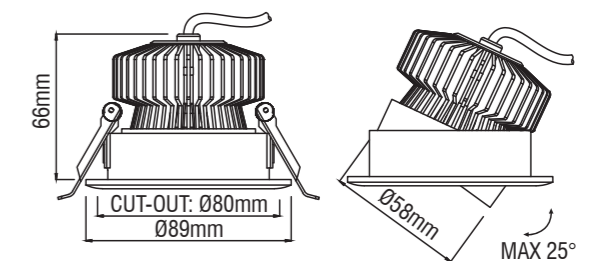
The Minimo Lente has a very special talent: the high quality of light improves your mood, brings a pleasant warmth to a room and gives you energy again. This – and the timeless minimalistic design of the luminaire with optical lens – makes the Karizma Luce Minimo Lente the perfect lighting solution for hotels, coffee bars and restaurants.

Minimo Lente.



Description	Angle	White	Black
705lm 927 9W	22°	113CW9272200	113CB9272200
720lm 930 9W	22°	113CW9302200	113CB9302200
850lm 940 9W	22°	113DW9402200	113DB9402200
705lm 927 9W	36°	113CW9273600	113CB9273600
720lm 930 9W	36°	113CW9303600	113CB9303600
850lm 940 9W	36°	113DW9403600	113DB9403600
705lm 927 9W	60°	113CW9276000	113CB9276000
720lm 930 9W	60°	113CW9306000	113CB9306000
850lm 940 9W	60°	113DW9406000	113DB9406000

Driver (500mA/18.4Vf) must be ordered separately.
For Light source energy class and identifier please consult the datasheet on our website.



Delizia di Luce
By KARIZMA_{luce}



Minimo

minimalistic made fantastic.

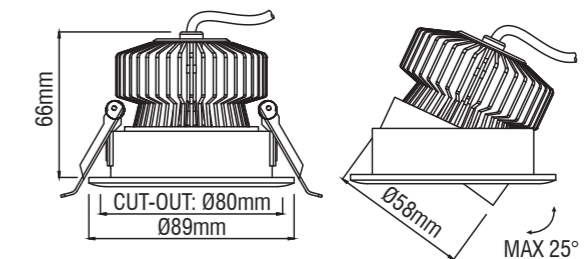
The Minimo is an adjustable led downlight. Thanks to its timeless minimalistic design and versatile character it is very popular in hospitality lighting. The Karizma Luce Minimo simply puts class into any room where people enjoy, work and live.

Minimo.



Description	Angle	White	Black
705lm 927 9W	24°	115CW9272400	115CB9272400
720lm 930 9W	24°	115CW9302400	115CB9302400
850lm 940 9W	24°	115DW9402400	115DB9402400
705lm 927 9W	40°	115CW9274000	115CB9274000
720lm 930 9W	40°	115CW9304000	115CB9304000
850lm 940 9W	40°	115DW9404000	115DB9404000

Driver (500mA/18.4Vf) must be ordered separately.
For Light source energy class and identifier please consult the datasheet on our website.



Delizia di Luce
By KARIZMA_{luce}



Corsa

up to any lighting task.

The Corsa is an adjustable led downlight, fitted with a 24°, 30° or 38° aluminium reflector. The clean design and its ability to rotate 350° makes it the perfect choice for office lighting, catering lighting, galleries and residential lighting. The Karizma Luce Corsa is up to any lighting task.

KARIZMA_{luce}

Corsa.

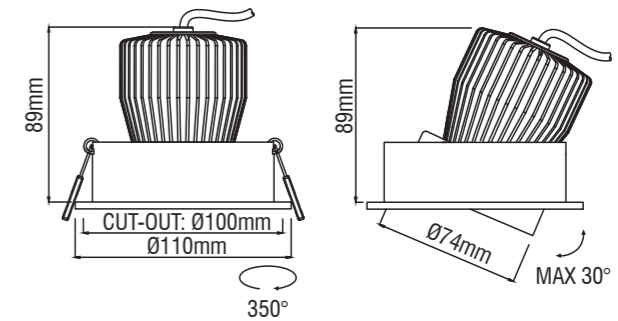


Description	Angle	White	Black
705lm 927 9W	30°	117CW9273000	117CB9273000
720lm 930 9W	30°	117CW9303000	117CB9303000
850lm 940 9W	30°	117DW9403000	117DB9403000
705lm 927 9W	45°	117CW9274500	117CB9274500
720lm 930 9W	45°	117CW9304500	117CB9304500
850lm 940 9W	45°	117DW9404500	117DB9404500

Driver (500mA/18.4Vf) must be ordered separately.
For Light source energy class and identifier please consult the datasheet on our website.

1240lm 927 12.5W	36°	117EW9273600	117EB9273600
1280lm 930 12.5W	36°	117FW9303600	117FB9303600
1450lm 940 12.5W	36°	117GW9403600	117GB9403600
1240lm 927 12.5W	45°	117EW9274500	117EB9274500
1280lm 930 12.5W	45°	117FW9304500	117FB9304500
1450lm 940 12.5W	45°	117GW9404500	117GB9404500

Driver (350mA/33.8-35.9Vf) must be ordered separately.
For Light source energy class and identifier please consult the datasheet on our website.



RECESSED LUMINAIRES **ADJUSTABLE.**



Delizia di Luce
By KARIZMA_{luce}



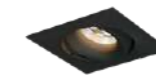
Piazza

another level of ambiance.

The Piazza is an adjustable led downlight. Besides the stylish square looks, also his versatility is striking. The Karizma Luce Piazza can be ordered with a 24°, 30° or 38° aluminium reflector and is 350° rotatable. This puts ambient lighting to another level.

KARIZMA_{luce}

Piazza.



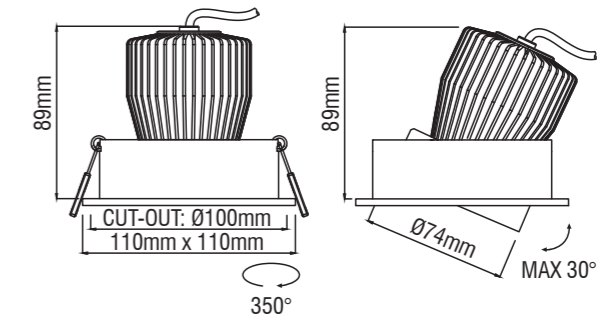
Description	Angle	White	Black
705lm 927 9W	30°	119CW9273000	119CB9273000
720lm 930 9W	30°	119CW9303000	119CB9303000
910lm 940 9W	30°	119DW9403000	119DB9403000
705lm 927 9W	45°	119CW9274500	119CB9274500
720lm 930 9W	45°	119CW9304500	119CB9304500
910lm 940 9W	45°	119DW9404500	119DB9404500

Driver (500mA/18.4Vf) must be ordered separately.
For Light source energy class and identifier please consult the datasheet on our website.

1240lm 927 12.5W	36°	119EW9273600	119EB9273600
1280lm 930 12.5W	36°	119FW9303600	119FB9303600
1550lm 940 12.5W	36°	119GW9403600	119GB9403600

1240lm 927 12.5W	45°	119EW9274500	119EB9274500
1280lm 930 12.5W	45°	119FW9304500	119FB9304500
1550lm 940 12.5W	45°	119GW9404500	119GB9404500

Driver (350mA/33.8-35.9Vf) must be ordered separately.
For Light source energy class and identifier please consult the datasheet on our website.



RECESSED LUMINAIRES **ADJUSTABLE.**

Delizia di Luce
By KARIZMA_{luce}



Doppio

teaming up.

The Doppio is an adjustable led downlight. It creates an enjoyable atmosphere, where two light sources can be adjusted and controlled individually. Each spot of the Karizma Luce

Doppio is 350° rotatable and tiltable up to 30° with different options of beam angles, lumen output, CRI or CCT. How more versatile do you want it?

KARIZMA_{luce}

Doppio.

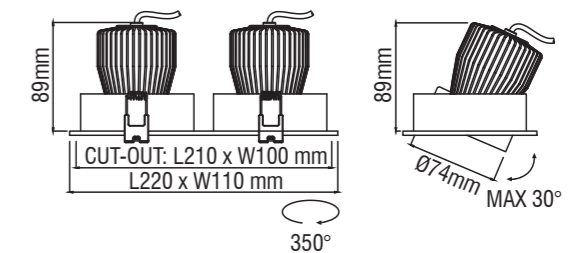


Description	Angle	White	Black
2x705lm 927 2x9W	30°	121CW9273000	121CB9273000
2x720lm 930 2x9W	30°	121CW9303000	121CB9303000
2x850lm 940 2x9W	30°	121DW9403000	121DB9403000
2x705lm 927 2x9W	45°	121CW9274500	121CB9274500
2x720lm 930 2x9W	45°	121CW9304500	121CB9304500
2x850lm 940 2x9W	45°	121DW9404500	121DB9404500

Driver (500mA/18.4Vf) must be ordered separately.
For Light source energy class and identifier please consult the datasheet on our website.

2x1240lm 927 2x12.5W	36°	121EW9273600	121EB9273600
2x1280lm 930 2x12.5W	36°	121FW9303600	121FB9303600
2x1450lm 940 2x12.5W	36°	121GW9403600	121GB9403600
2x1240lm 927 2x12.5W	45°	121EW9274500	121EB9274500
2x1280lm 930 2x12.5W	45°	121FW9304500	121FB9304500
2x1450lm 940 2x12.5W	45°	121GW9404500	121GB9404500

Driver (350mA/33.8-35.9Vf) must be ordered separately.
For Light source energy class and identifier please consult the datasheet on our website.



RECESSED LUMINAIRES **ADJUSTABLE.**

Dea Della Luce
By KARIZMA_{luce}

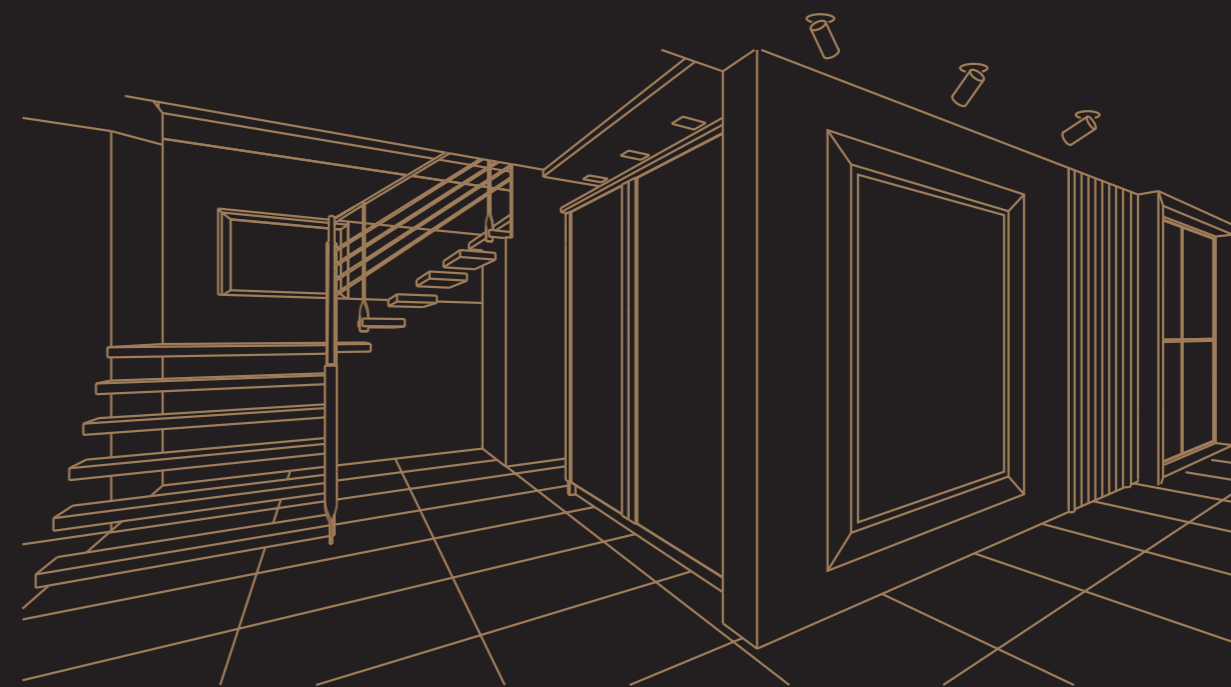


Dea Cura
handles with confidence.

The Dea Cura is an extra small spot. Named after the Roman goddess, whose name means 'care'.

And that is exactly what you can expect: the Dea Cura takes care of any lighting challenge.

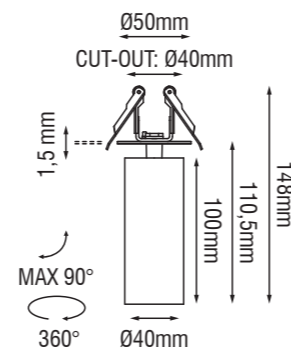
Charming, clean and small. Ready to brighten up anything you want. From the tiniest detail to a commercial display, Dea Cura handles its task with confidence.



Dea Cura XS.



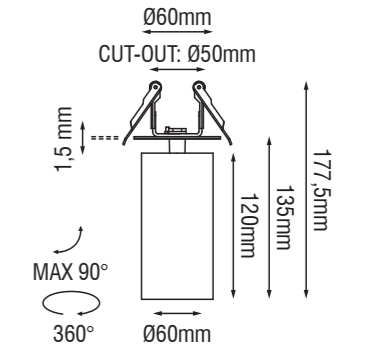
		Description	Reflector	Angle	White	Black
	490lm 927 10.5W	black high gloss	34°	141BW92734BG00	141BB92734BG00	
	500lm 930 10.5W	black high gloss	34°	141BW93034BG00	141BB93034BG00	
	510lm 940 10.5W	black high gloss	34°	141BW94034BG00	141BB94034BG00	
	490lm 927 10.5W	silver high gloss	34°	141BW92734SG00	141BB92734SG00	
	500lm 930 10.5W	silver high gloss	34°	141BW93034SG00	141BB93034SG00	
	510lm 940 10.5W	silver high gloss	34°	141BW94034SG00	141BB94034SG00	
	490lm 927 10.5W	chrome	34°	141BW92734CH00	141BB92734CH00	
	500lm 930 10.5W	chrome	34°	141BW93034CH00	141BB93034CH00	
	510lm 940 10.5W	chrome	34°	141BW94034CH00	141BB94034CH00	
	490lm 927 10.5W	white	34°	141BW92734WH00	141BB92734WH00	
	500lm 930 10.5W	white	34°	141BW93034WH00	141BB93034WH00	
	510lm 940 10.5W	white	34°	141BW94034WH00	141BB94034WH00	
	490lm 927 10.5W	gold	34°	141BW92734GO00	141BB92734GO00	
	500lm 930 10.5W	gold	34°	141BW93034GO00	141BB93034GO00	
	510lm 940 10.5W	gold	34°	141BW94034GO00	141BB94034GO00	
	490lm 927 10.5W	black matt	34°	141BW92734BM00	141BB92734BM00	
	500lm 930 10.5W	black matt	34°	141BW93034BM00	141BB93034BM00	
	510lm 940 10.5W	black matt	34°	141BW94034BM00	141BB94034BM00	
	490lm 927 10.5W	copper	34°	141BB92734CO00	141BW92734CO00	
	500lm 930 10.5W	copper	34°	141BB93034CO00	141BW93034CO00	
	510lm 940 10.5W	copper	34°	141BB94034CO00	141BW94034CO00	



Dea Cura S.



		Description	Reflector	Angle	White	Black
	830lm 927 10.5W	black high gloss	40°	142CW92740BG00	142CB92740BG00	
	860lm 930 10.5W	black high gloss	40°	142CW93040BG00	142CB93040BG00	
	870lm 940 10.5W	black high gloss	40°	142CW94040BG00	142CB94040BG00	
	900lm 927 10.5W	silver high gloss	40°	142CW92740SG00	142CB92740SG00	
	950lm 930 10.5W	silver high gloss	40°	142CW93040SG00	142CB93040SG00	
	960lm 940 10.5W	silver high gloss	40°	142CW94040SG00	142CB94040SG00	
	890lm 927 10.5W	chrome	40°	142CW92740CH00	142CB92740CH00	
	930lm 930 10.5W	chrome	40°	142CW93040CH00	142CB93040CH00	
	940lm 940 10.5W	chrome	40°	142CW94040CH00	142CB94040CH00	
	840lm 927 10.5W	white	40°	142CW92740WH00	142CB92740WH00	
	880lm 930 10.5W	white	40°	142CW93040WH00	142CB93040WH00	
	890lm 940 10.5W	white	40°	142CW94040WH00	142CB94040WH00	
	840lm 927 10.5W	gold	40°	142CW92740GO00	142CB92740GO00	
	880lm 930 10.5W	gold	40°	142CW93040GO00	142CB93040GO00	
	890lm 940 10.5W	gold	40°	142CW94040GO00	142CB94040GO00	
	760lm 927 10.5W	black matt	40°	142CW92740BM00	142CB92740BM00	
	800lm 930 10.5W	black matt	40°	142CW93040BM00	142CB93040BM00	
	810lm 940 10.5W	black matt	40°	142CW94040BM00	142CB94040BM00	
	840lm 927 10.5W	copper	40°	142CW92740CO00	142CB92740CO00	
	880lm 930 10.5W	copper	40°	142CW93040CO00	142CB93040CO00	
	890lm 940 10.5W	copper	40°	142CW94040CO00	142CB94040CO00	





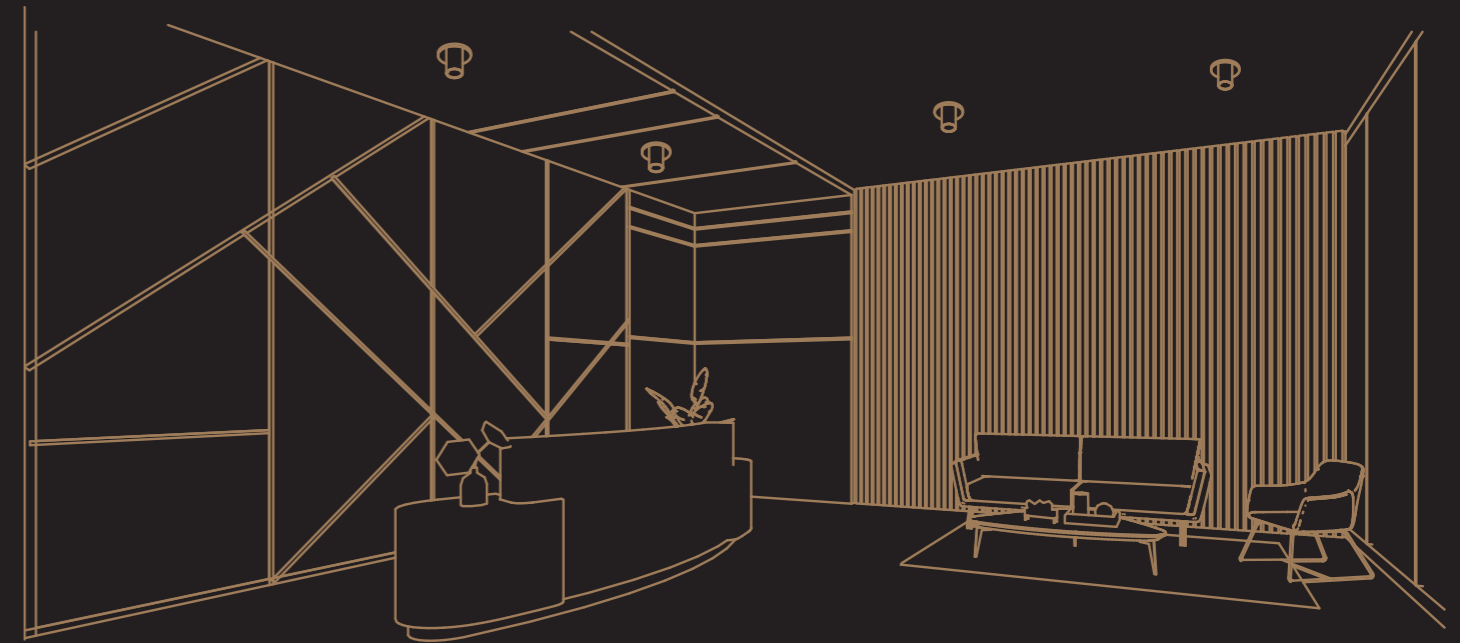
Dea Della Luce
By KARIZMA_{luce}



Dea Charon

subtle elegance.

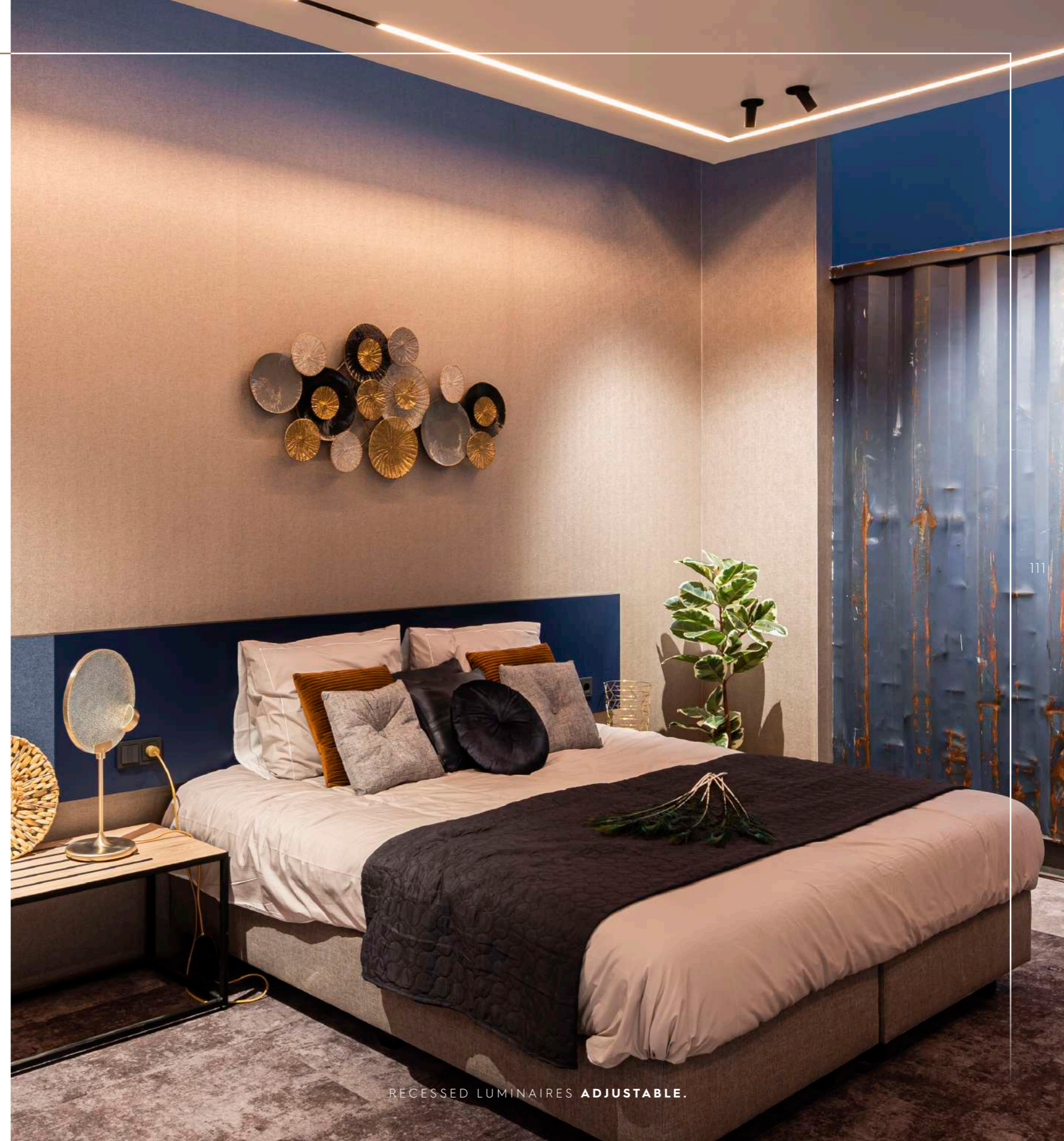
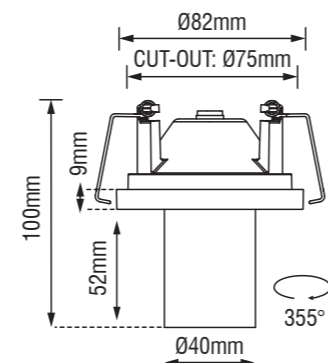
The Dea Charon is named after the Roman goddess Charon, who protects and keeps healthy. It can play a vital role in your lighting plan. Available in black and white, and with numerous colour options for the reflector. Choose from various applications and extensive package of dimming options and bring any interior to a higher level.



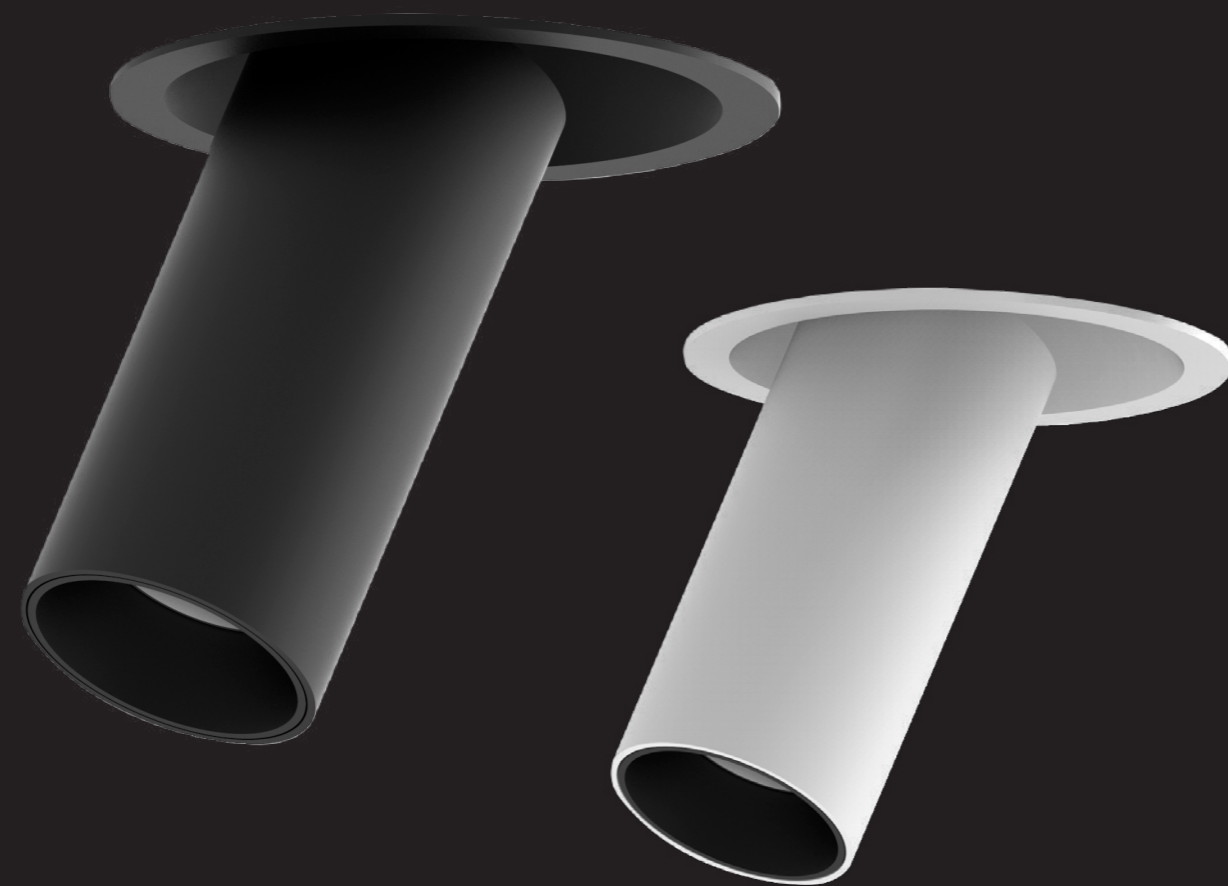
Dea Charon XS.



Description	Reflector	Angle	White	Black
490lm 927 6.2W	black high gloss	34°	136CW92734BG00	136CB92734BG00
500lm 930 6.2W	black high gloss	34°	136CW93034BG00	136CB93034BG00
510lm 940 6.2W	black high gloss	34°	136CW94034BG00	136CB94034BG00
490lm 927 6.2W	silver high gloss	34°	136CW92734SG00	136CB92734SG00
500lm 930 6.2W	silver high gloss	34°	136CW93034SG00	136CB93034SG00
510lm 940 6.2W	silver high gloss	34°	136CW94034SG00	136CB94034SG00
490lm 927 6.2W	chrome	34°	136CW92734CH00	136CB92734CH00
500lm 930 6.2W	chrome	34°	136CW93034CH00	136CB93034CH00
510lm 940 6.2W	chrome	34°	136CW94034CH00	136CB94034CH00
490lm 927 6.2W	white	34°	136CW92734WH00	136CB92734WH00
500lm 930 6.2W	white	34°	136CW93034WH00	136CB93034WH00
510lm 940 6.2W	white	34°	136CW94034WH00	136CB94034WH00
490lm 927 6.2W	gold	34°	136CW92734GO00	136CB92734GO00
500lm 930 6.2W	gold	34°	136CW93034GO00	136CB93034GO00
510lm 940 6.2W	gold	34°	136CW94034GO00	136CB94034GO00
490lm 927 6.2W	black matt	34°	136CW92734BM00	136CB92734BM00
500lm 930 6.2W	black matt	34°	136CW93034BM00	136CB93034BM00
510lm 940 6.2W	black matt	34°	136CW94034BM00	136CB94034BM00
490lm 927 6.2W	copper	34°	136CW92734CO00	136CB92734CO00
500lm 930 6.2W	copper	34°	136CW93034CO00	136CB93034CO00
510lm 940 6.2W	copper	34°	136CW94034CO00	136CB94034CO00



Delizia di Luce
By KARIZMA_{luce}



Fontana

a powerful statement.

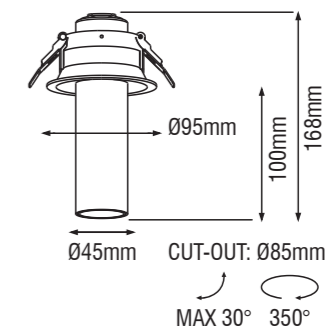
The Fontana S is a recessed spotlight, full of real Italian character. An eccentric spotlight in a diagonal tube form with optical lens. A powerful statement. The Karizma Luce Fontana enriches every interior where focused warm light with a high CRI is desired. His pronounced design fits perfectly in showrooms, galleries, museums, bars and restaurants.

Fontana S.



Description	Angle	White	Black
670lm 927 10W	36°	126CW92736F0	126CB92736F0
700lm 930 10W	36°	126CW93036F0	126CB93036F0
800lm 940 10W	36°	126DW94036F0	126DB94036F0

Driver (350mA/33.8-35.9Vf) must be ordered separately.
For Light source energy class and identifier please consult the datasheet on our website.



Recessed
luminaires
trimless

Dea Della Luce
By KARIZMA_{luce}



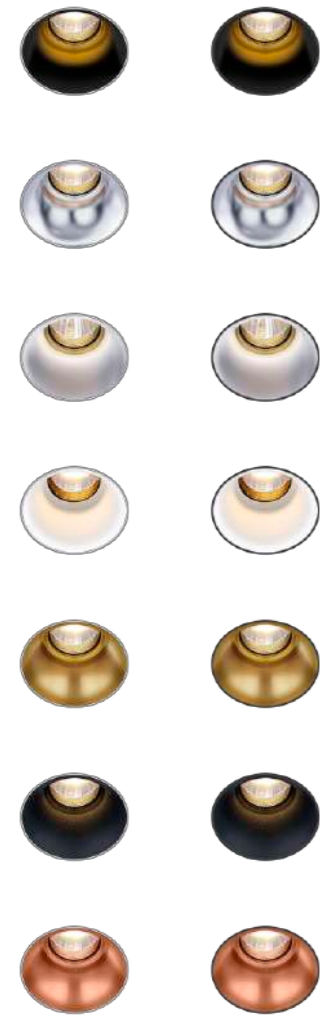
Dea Diana

Deep module, elegant looks.

When you want to go subtle, you have to go trimless. The Dea Diana offers a whole new lighting experience. The deep module, elegant looks and endless range of applications guarantee a refined look. The reflectors can be changed in case of wish or need, because they are fixed by a magnet. In this way, the Dea Diana always meets your wishes.



Dea Diana XS.

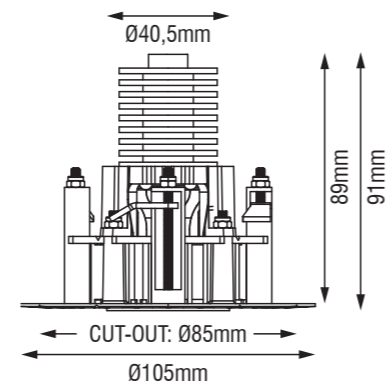


Description	Reflector	Angle	White	Black
490lm 927 6.2W	black high gloss	34°	224BW92734BG00	224BB92734BG00
500lm 930 6.2W	black high gloss	34°	224BW93034BG00	224BB93034BG00
510lm 940 6.2W	black high gloss	34°	224BW94034BG00	224BB94034BG00
490lm 927 6.2W	silver high gloss	34°	224BW92734SG00	224BB92734SG00
500lm 930 6.2W	silver high gloss	34°	224BW93034SG00	224BB93034SG00
510lm 940 6.2W	silver high gloss	34°	224BW94034SG00	224BB94034SG00
490lm 927 6.2W	chrome	34°	224BW92734CH00	224BB92734CH00
500lm 930 6.2W	chrome	34°	224BW93034CH00	224BB93034CH00
510lm 940 6.2W	chrome	34°	224BW94034CH00	224BB94034CH00
490lm 927 6.2W	white	34°	224BW92734WH00	224BB92734WH00
500lm 930 6.2W	white	34°	224BW93034WH00	224BB93034WH00
510lm 940 6.2W	white	34°	224BW94034WH00	224BB94034WH00
490lm 927 6.2W	gold	34°	224BW92734GO00	224BB92734GO00
500lm 930 6.2W	gold	34°	224BW93034GO00	224BB93034GO00
510lm 940 6.2W	gold	34°	224BW94034GO00	224BB94034GO00
490lm 927 6.2W	black matt	34°	224BW92734BM00	224BB92734BM00
500lm 930 6.2W	black matt	34°	224BW93034BM00	224BB93034BM00
510lm 940 6.2W	black matt	34°	224BW94034BM00	224BB94034BM00
490lm 927 6.2W	copper	34°	224BW92734CO00	224BB92734CO00
500lm 930 6.2W	copper	34°	224BW93034CO00	224BB93034CO00
510lm 940 6.2W	copper	34°	224BW94034CO00	224BB94034CO00

Driver (200mA/31Vf) must be ordered separately.

For Light source energy class and identifier please consult the datasheet on our website.

Installation frames are included, extra frames can be ordered separately (page 136).



Dea Diana S.

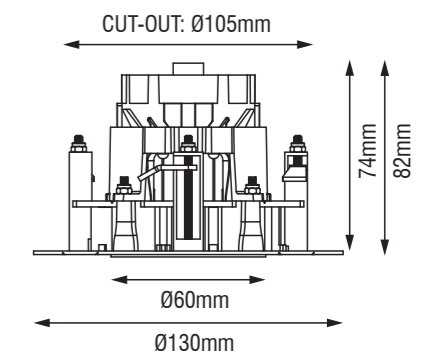


Description	Reflector	Angle	White	Black
830lm 927 8.5W	black high gloss	40°	220DW92740BG00	220DB92740BG00
860lm 930 8.5W	black high gloss	40°	220DW93040BG00	220DB93040BG00
870lm 940 8.5W	black high gloss	40°	220DW94040BG00	220DB94040BG00
900lm 927 8.5W	silver high gloss	40°	220DW92740SG00	220DB92740SG00
950lm 930 8.5W	silver high gloss	40°	220DW93040SG00	220DB93040SG00
960lm 940 8.5W	silver high gloss	40°	220DW94040SG00	220DB94040SG00
890lm 927 8.5W	chrome	40°	220DW92740CH00	220DB92740CH00
930lm 930 8.5W	chrome	40°	220DW93040CH00	220DB93040CH00
940lm 940 8.5W	chrome	40°	220DW94040CH00	220DB94040CH00
840lm 927 8.5W	white	40°	220DW92740WH00	220DB92740WH00
880lm 930 8.5W	white	40°	220DW93040WH00	220DB93040WH00
890lm 940 8.5W	white	40°	220DW94040WH00	220DB94040WH00
840lm 927 8.5W	gold	40°	220DW92740GO00	220DB92740GO00
880lm 930 8.5W	gold	40°	220DW93040GO00	220DB93040GO00
890lm 940 8.5W	gold	40°	220DW94040GO00	220DB94040GO00
760lm 927 8.5W	black matt	40°	220DW92740BM00	220DB92740BM00
800lm 930 8.5W	black matt	40°	220DW93040BM00	220DB93040BM00
810lm 940 8.5W	black matt	40°	220DW94040BM00	220DB94040BM00
840lm 927 8.5W	copper	40°	220DW92740CO00	220DB92740CO00
880lm 930 8.5W	copper	40°	220DW93040CO00	220DB93040CO00
890lm 940 8.5W	copper	40°	220DW94040CO00	220DB94040CO00

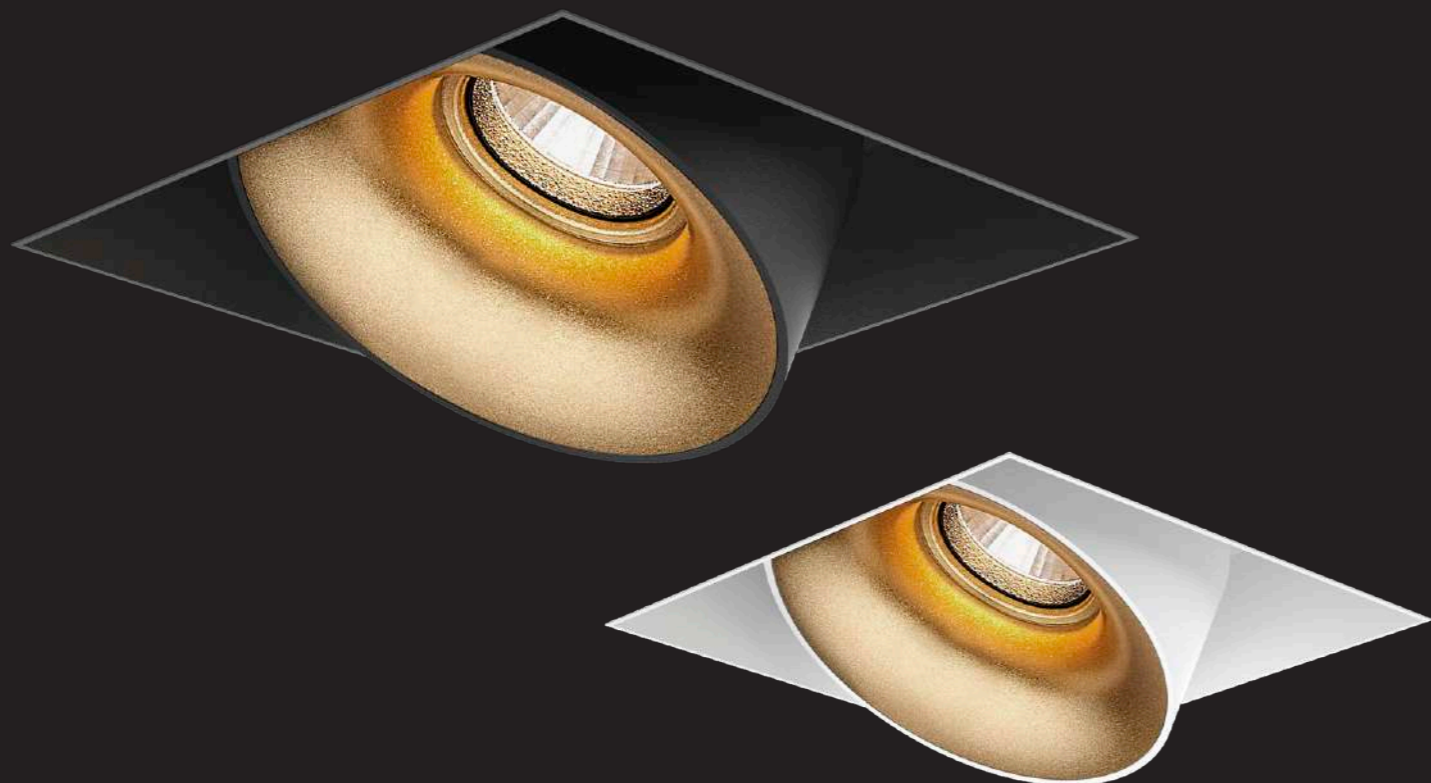
Driver (250mA/33.2Vf) must be ordered separately.

For Light source energy class and identifier please consult the datasheet on our website.

Installation frames are included, extra frames can be ordered separately (page 136).



Dea Della Luce
By KARIZMA_{luce}



Dea Dion

always there for you.

Like the ancient goddess Dion, this trimless fixture breaks the surface in a gentle way. In mythology, Dion was a beautiful sea nymph, choosing her moments to appear to mankind from under the water surface. With the Dea Dion you don't have to wait for a revelation: with her distinguished performance she is always there for you. Today, tomorrow and far beyond.



Dea Dion S.

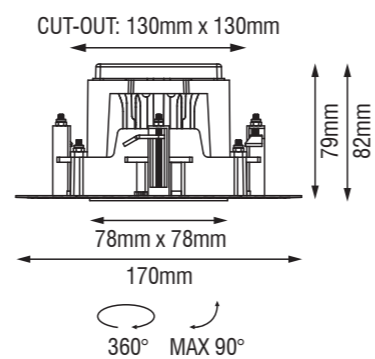


Description	Reflector	Angle	White	Black
	black high gloss	40°	140CW92740BG00	140CB92740BG00
	black high gloss	40°	140CW93040BG00	140CB93040BG00
	black high gloss	40°	140CW94040BG00	140CB94040BG00
	silver high gloss	40°	140CW92740SG00	140CB92740SG00
	silver high gloss	40°	140CW93040SG00	140CB93040SG00
	silver high gloss	40°	140CW94040SG00	140CB94040SG00
	chrome	40°	140CW92740CH00	140CB92740CH00
	chrome	40°	140CW93040CH00	140CB93040CH00
	chrome	40°	140CW94040CH00	140CB94040CH00
	white	40°	140CW92740WH00	140CB92740WH00
	white	40°	140CW93040WH00	140CB93040WH00
	white	40°	140CW94040WH00	140CB94040WH00
	gold	40°	140CW92740GO00	140CB92740GO00
	gold	40°	140CW93040GO00	140CB93040GO00
	gold	40°	140CW94040GO00	140CB94040GO00
	black matt	40°	140CW92740BM00	140CB92740BM00
	black matt	40°	140CW93040BM00	140CB93040BM00
	black matt	40°	140CW94040BM00	140CB94040BM00
	copper	40°	140CW92740CO00	140CB92740CO00
	copper	40°	140CW93040CO00	140CB93040CO00
	copper	40°	140CW94040CO00	140CB94040CO00

Driver (250mA/34Vf) must be ordered separately.

For Light source energy class and identifier please consult the datasheet on our website.

Installation frames are included, extra frames can be ordered separately (page 136).



Dea Della Luce
By KARIZMA_{luce}

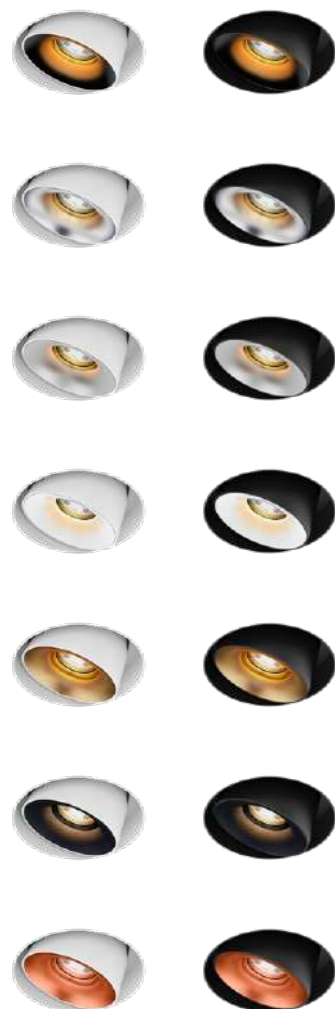


Dea Devi
Let's add a sparkle.

Why not adding a feminine touch to your room? This trimless fixture is named after the goddess Devi, known for her heavenly and divine character. The elegant round design, subtly concealed in the ceiling, puts a sparkle in any building. Choose for a black or white housing and simply add a reflector in the colour of your choice.



Dea Devi S.

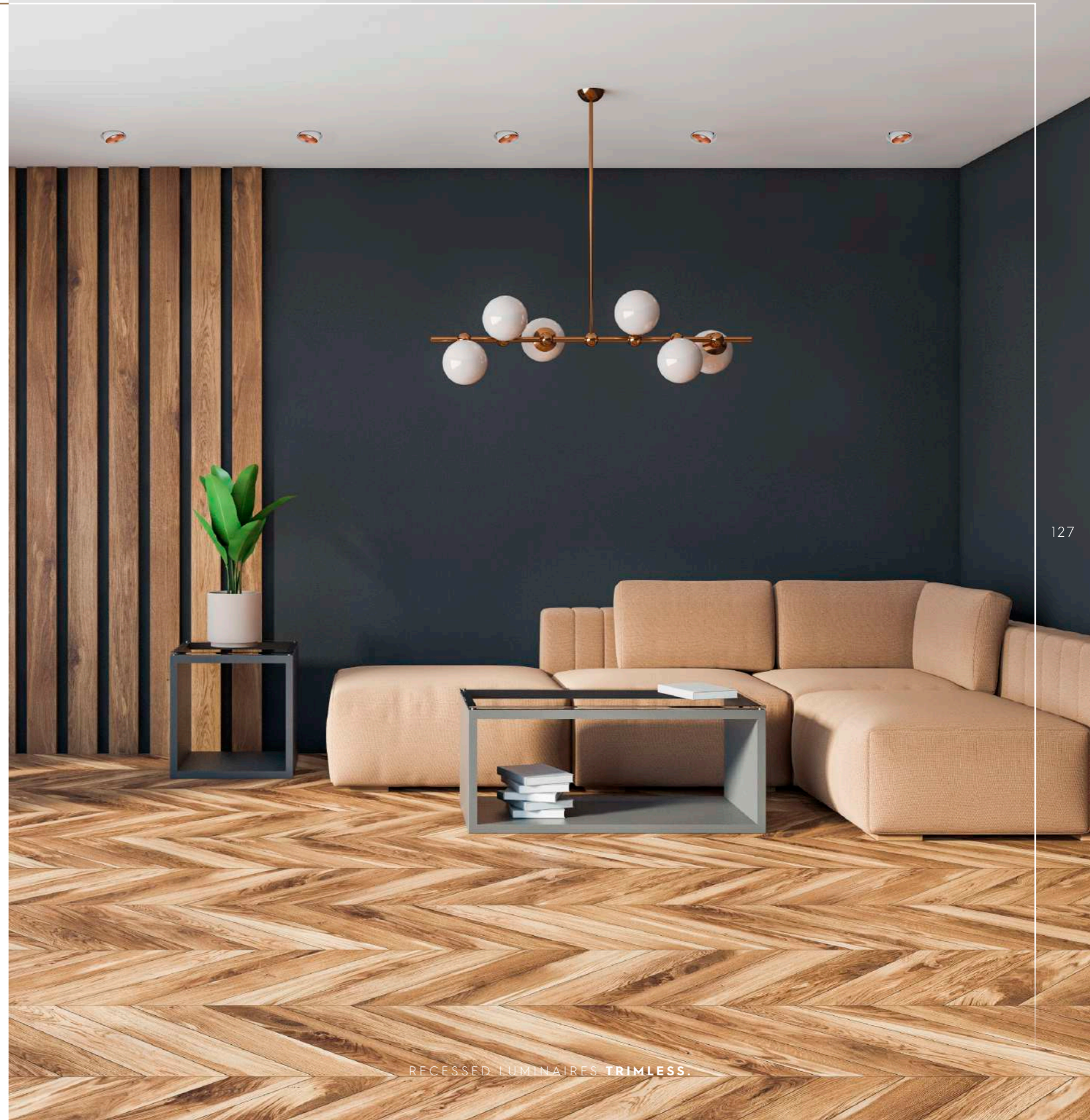
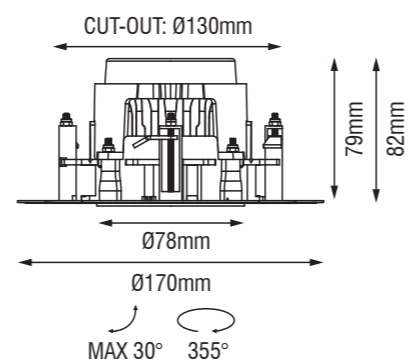


Description	Reflector	Angle	White	Black
830lm 927 8.5W	black high gloss	40°	139CW92740BG00	139CB92740BG00
860lm 930 8.5W	black high gloss	40°	139CW93040BG00	139CB93040BG00
870lm 940 8.5W	black high gloss	40°	139CW94040BG00	139CB94040BG00
900lm 927 8.5W	silver high gloss	40°	139CW92740SG00	139CB92740SG00
950lm 930 8.5W	silver high gloss	40°	139CW93040SG00	139CB93040SG00
960lm 940 8.5W	silver high gloss	40°	139CW94040SG00	139CB94040SG00
890lm 927 8.5W	chrome	40°	139CW92740CH00	139CB92740CH00
930lm 930 8.5W	chrome	40°	139CW93040CH00	139CB93040CH00
940lm 940 8.5W	chrome	40°	139CW94040CH00	139CB94040CH00
840lm 927 8.5W	white	40°	139CW92740WH00	139CB92740WH00
880lm 930 8.5W	white	40°	139CW93040WH00	139CB93040WH00
890lm 940 8.5W	white	40°	139CW94040WH00	139CB94040WH00
840lm 927 8.5W	gold	40°	139CW92740GO00	139CB92740GO00
880lm 930 8.5W	gold	40°	139CW93040GO00	139CB93040GO00
890lm 940 8.5W	gold	40°	139CW94040GO00	139CB94040GO00
760lm 927 8.5W	black matt	40°	139CW92740BM00	139CB92740BM00
800lm 930 8.5W	black matt	40°	139CW93040BM00	139CB93040BM00
810lm 940 8.5W	black matt	40°	139CW94040BM00	139CB94040BM00
840lm 927 8.5W	copper	40°	139CW92740CO00	139CB92740CO00
880lm 930 8.5W	copper	40°	139CW93040CO00	139CB93040CO00
890lm 940 8.5W	copper	40°	139CW94040CO00	139CB94040CO00

Driver (250mA/34Vf) must be ordered separately.

For Light source energy class and identifier please consult the datasheet on our website.

Installation frames are included, extra frames can be ordered separately (page 136).

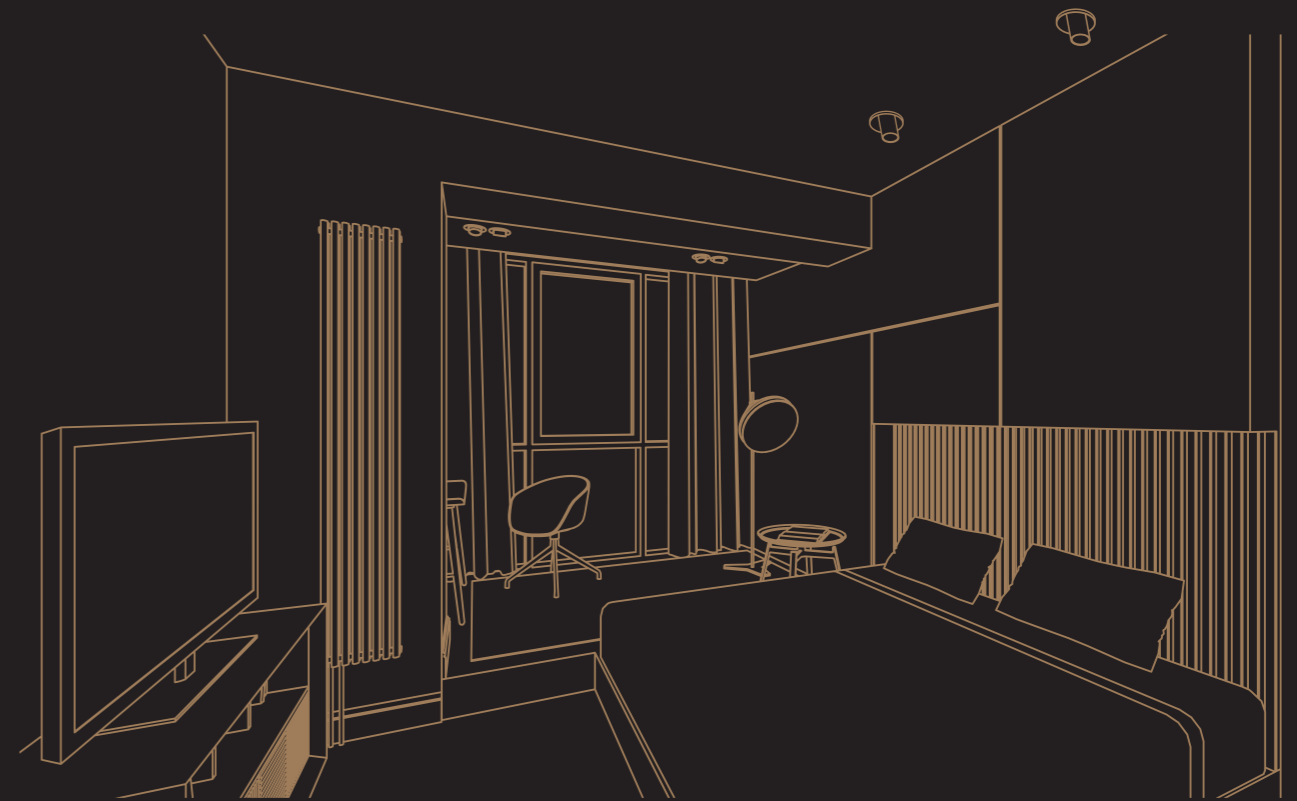


Dea Della Luce
By KARIZMA_{luce}



Dea Durga
fierce and effective.

Durga is known as a fierce goddess, wife of Shiva. She is usually depicted riding a tiger or lion and slaying the buffalo demon, and with eight or ten arms. The Dea Durga does her job with only one arm, but with the same power and effectiveness. Let this trimless and versatile fixture play a decisive role in your light plan.



Dea Durga XS.

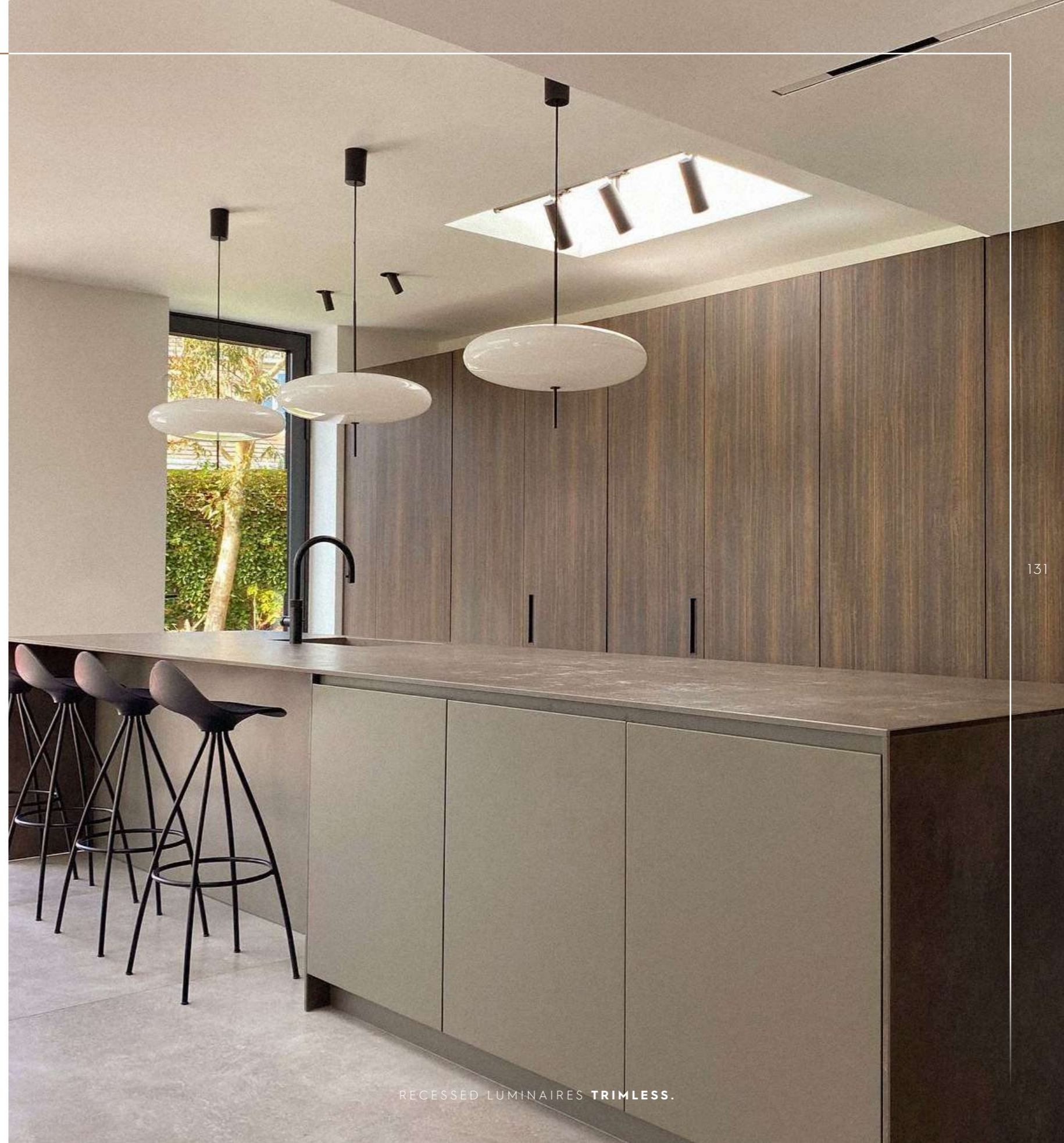
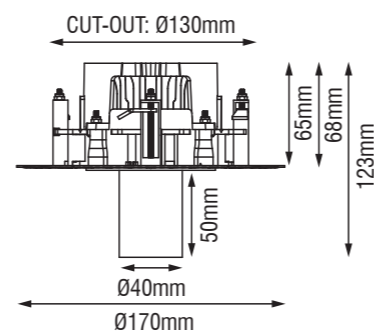


Description	Reflector	Angle	White	Black
490lm 927 6.2W	black high gloss	34°	137CW92734BG00	137CB92734BG00
500lm 930 6.2W	black high gloss	34°	137CW93034BG00	137CB93034BG00
510lm 940 6.2W	black high gloss	34°	137CW94034BG00	137CB94034BG00
490lm 927 6.2W	silver high gloss	34°	137CW92734SG00	137CB92734SG00
500lm 930 6.2W	silver high gloss	34°	137CW93034SG00	137CB93034SG00
510lm 940 6.2W	silver high gloss	34°	137CW94034SG00	137CB94034SG00
490lm 927 6.2W	chrome	34°	137CW92734CH00	137CB92734CH00
500lm 930 6.2W	chrome	34°	137CW93034CH00	137CB93034CH00
510lm 940 6.2W	chrome	34°	137CW94034CH00	137CB94034CH00
490lm 927 6.2W	white	34°	137CW92734WH00	137CB92734WH00
500lm 930 6.2W	white	34°	137CW93034WH00	137CB93034WH00
510lm 940 6.2W	white	34°	137CW94034WH00	137CB94034WH00
490lm 927 6.2W	gold	34°	137CW92734GO00	137CB92734GO00
500lm 930 6.2W	gold	34°	137CW93034GO00	137CB93034GO00
510lm 940 6.2W	gold	34°	137CW94034GO00	137CB94034GO00
490lm 927 6.2W	black matt	34°	137CW92734BM00	137CB92734BM00
500lm 930 6.2W	black matt	34°	137CW93034BM00	137CB93034BM00
510lm 940 6.2W	black matt	34°	137CW94034BM00	137CB94034BM00
490lm 927 6.2W	copper	34°	137CW92734CO00	137CB92734CO00
500lm 930 6.2W	copper	34°	137CW93034CO00	137CB93034CO00
510lm 940 6.2W	copper	34°	137CW94034CO00	137CB94034CO00

Driver (200mA/31Vf) must be ordered separately.

For Light source energy class and identifier please consult the datasheet on our website.

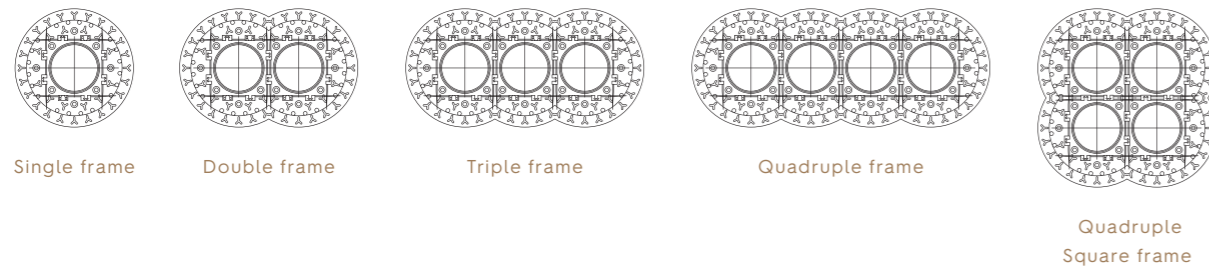
Installation frames are included, extra frames can be ordered separately (page 136).



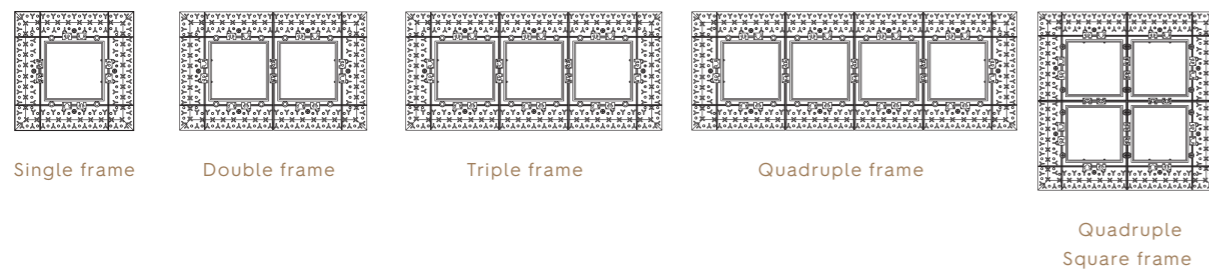
Dea trimless accessories

The standard installation frame is single, but you can make several combinations of it, just by cutting the sides of the frames and connect them to each other. The trimless luminaires are supplied with installation frames. Extra frames can be ordered separately.

Combination of frames Dea Diana, Dea Devi, Dea Durga

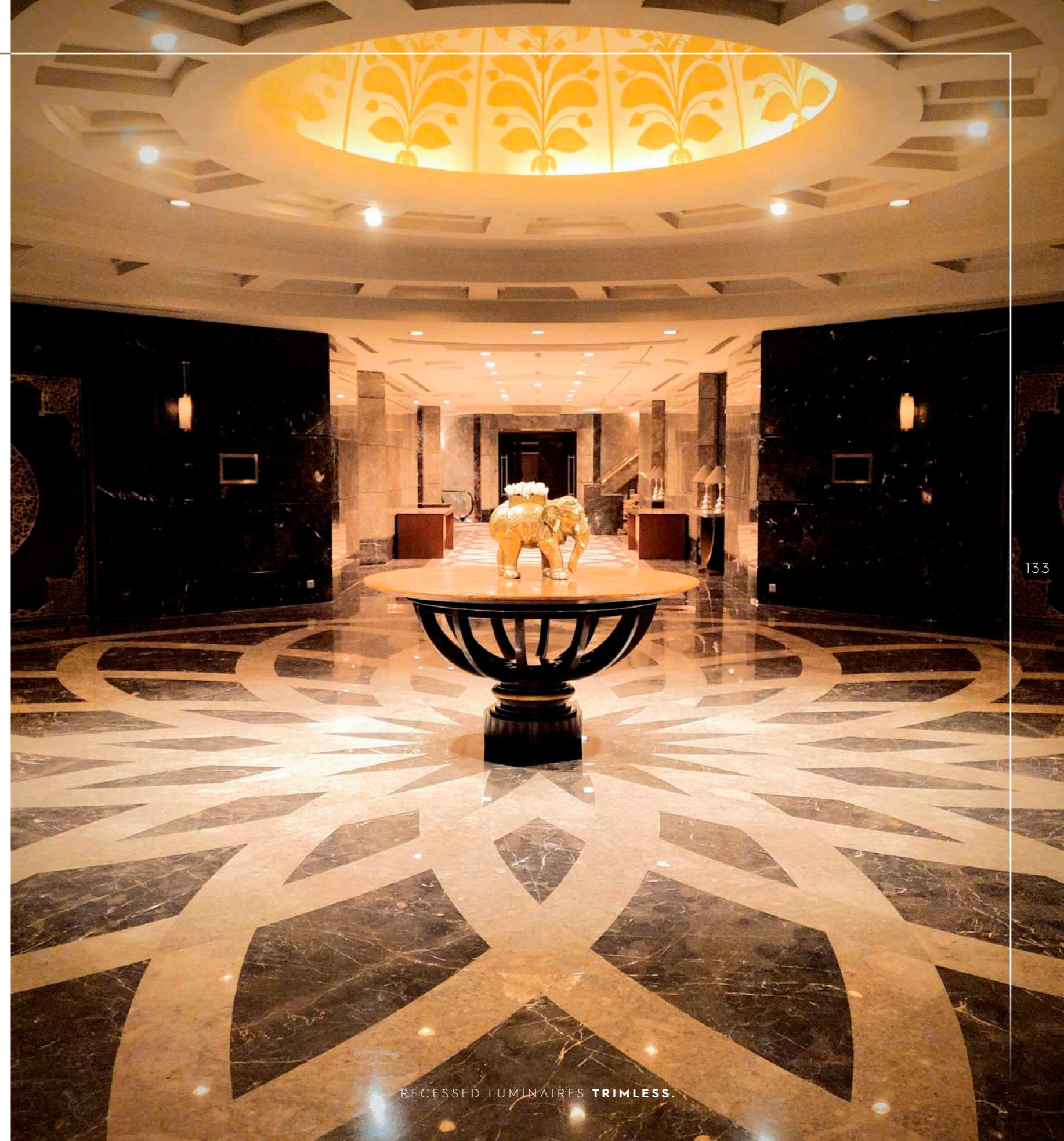


Combination of frames Dea Dion



Installation frame/mounting kit

Description	Art. number
Frame/mounting kit Dea Diana XS	TL-XS-F-KIT
Frame/mounting kit Dea Diana S	TL-S-F-KIT
Frame/mounting kit Dea Devi S	TL-S-RD-KIT
Frame/mounting kit Dea Dion S	TL-S-SQ-KIT
Frame/mounting kit Dea Durga XS	TL-XS-KIT



220V track
luminaires

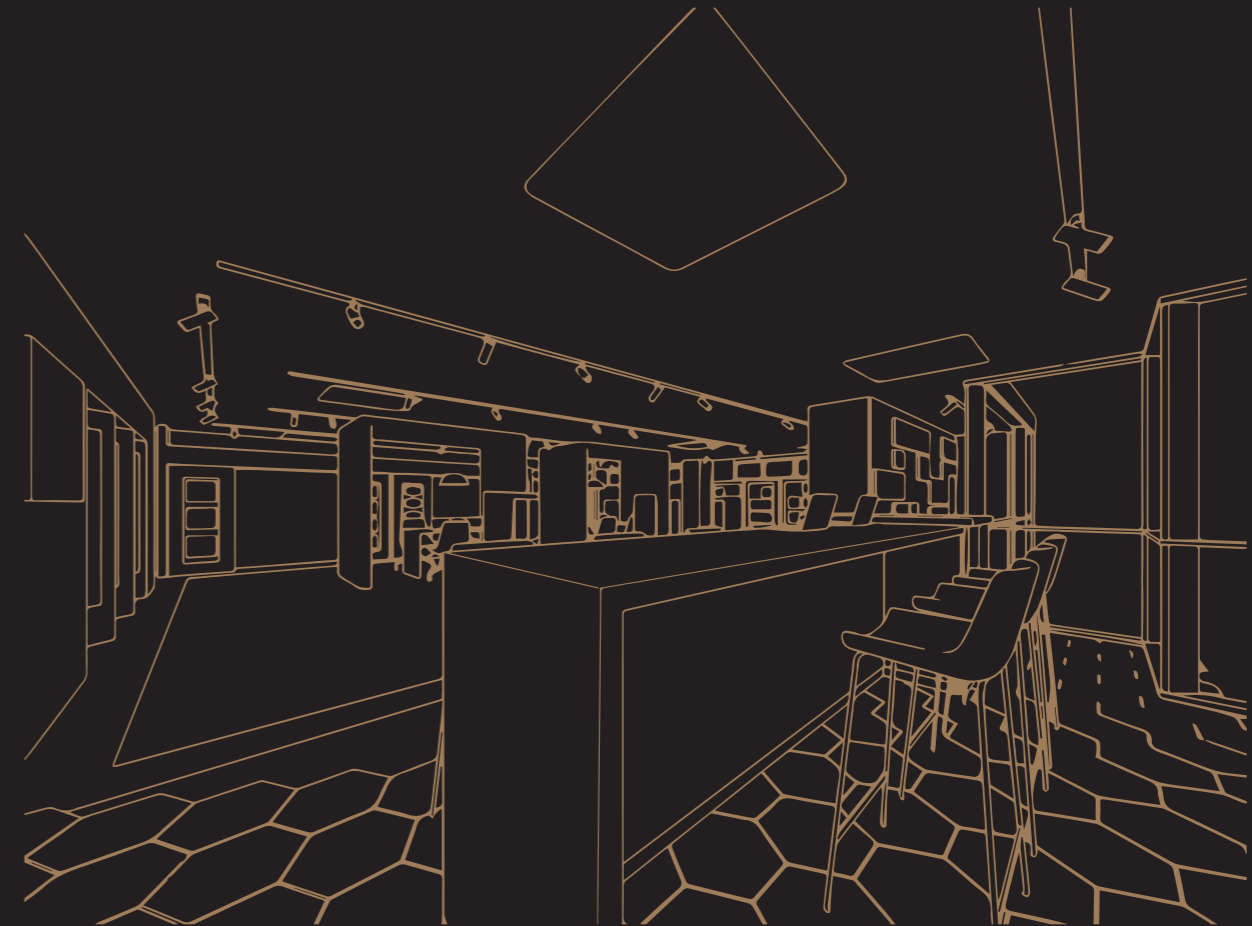
Dea Della Luce
By KARIZMA^{luce}



Dea Juno

like a pristine flower.

The 3-phase track luminaire Dea Juno is a real eye-catcher thanks to its small measurements, deep recessed light source and beautiful colour options. Use the Dea Juno in combination with Casambi to create a smart and balanced lighting solution. Particularly suitable for use in boutiques, hospitality and even in homes.

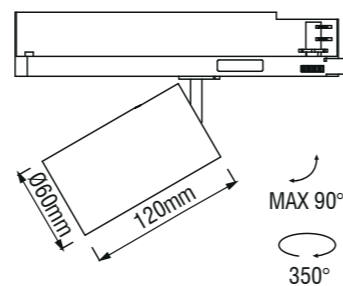


Dea Juno S.



Description	Reflector	Angle	White	Black
960lm 927 12W	black high gloss	40°	606DW92740BGFO	606DB92740BGFO
1000lm 930 12W	black high gloss	40°	606EW93040BGFO	606EB93040BGFO
1020lm 940 12W	black high gloss	40°	606EW94040BGFO	606EB94040BGFO
1050lm 927 12W	silver high gloss	40°	606EW92740SGFO	606EB92740SGFO
1100lm 930 12W	silver high gloss	40°	606EW93040SGFO	606EB93040SGFO
1120lm 940 12W	silver high gloss	40°	606EW94040SGFO	606EB94040SGFO
1030lm 927 12W	chrome	40°	606EW92740CHF0	606EB92740CHF0
1080lm 930 12W	chrome	40°	606EW93040CHF0	606EB93040CHF0
1100lm 940 12W	chrome	40°	606EW94040CHF0	606EB94040CHF0
970lm 927 12W	white	40°	606DW92740WHFO	606DB92740WHFO
1020lm 930 12W	white	40°	606EW93040WHFO	606EB93040WHFO
1030lm 940 12W	white	40°	606EW94040WHFO	606EB94040WHFO
970lm 927 12W	gold	40°	606DW92740GOF0	606DB92740GOF0
1020lm 930 12W	gold	40°	606EW93040GOF0	606EB93040GOF0
1030lm 940 12W	gold	40°	606EW94040GOF0	606EB94040GOF0
880lm 927 12W	black matt	40°	606DW92740BMFO	606DB92740BMFO
930lm 930 12W	black matt	40°	606DW93040BMFO	606DB93040BMFO
940lm 940 12W	black matt	40°	606DW94040BMFO	606DB94040BMFO
970lm 927 12W	copper	40°	606DW92740COFO	606DB92740COFO
1020lm 930 12W	copper	40°	606EW93040COFO	606EB93040COFO
1030lm 940 12W	copper	40°	606EW94040COFO	606EB94040COFO

For Light source energy class and identifier please consult the datasheet on our website.

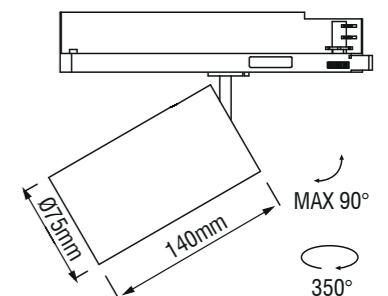


Dea Juno M.



Description	Reflector	Angle	White	Black
1550lm 927 20W	black high gloss	40°	607GW92740BGFO	607GB92740BGFO
1600lm 930 20W	black high gloss	40°	607GW93040BGFO	607GB93040BGFO
1650lm 940 20W	black high gloss	40°	607GW94040BGFO	607GB94040BGFO
1750lm 927 20W	silver high gloss	40°	607HW92740SGFO	607HB92740SGFO
1750lm 930 20W	silver high gloss	40°	607HW93040SGFO	607HB93040SGFO
1800lm 940 20W	silver high gloss	40°	607HW94040SGFO	607HB94040SGFO
1650lm 927 20W	chrome	40°	607GW92740CHF0	607GB92740CHF0
1700lm 930 20W	chrome	40°	607GW93040CHF0	607GB93040CHF0
1750lm 940 20W	chrome	40°	607HW94040CHF0	607HB94040CHF0
1650lm 927 20W	white	40°	607GW92740WHFO	607GB92740WHFO
1650lm 930 20W	white	40°	607GW93040WHFO	607GB93040WHFO
1700lm 940 20W	white	40°	607GW94040WHFO	607GB94040WHFO
1600lm 927 20W	gold	40°	607GW92740GOF0	607GB92740GOF0
1650lm 930 20W	gold	40°	607GW93040GOF0	607GB93040GOF0
1700lm 940 20W	gold	40°	607GW94040GOF0	607GB94040GOF0
1500lm 927 20W	black matt	40°	607GW92740BMFO	607GB92740BMFO
1550lm 930 20W	black matt	40°	607GW93040BMFO	607GB93040BMFO
1600lm 940 20W	black matt	40°	607GW94040BMFO	607GB94040BMFO
1600lm 927 20W	copper	40°	607GW92740COFO	607GB92740COFO
1650lm 930 20W	copper	40°	607GW93040COFO	607GB93040COFO
1700lm 940 20W	copper	40°	607GW94040COFO	607GB94040COFO

For Light source energy class and identifier please consult the datasheet on our website.



Delizia di Luce
By KARIZMA_{luce}



Vuoto

full of opportunities.

In Italian, Vuoto means empty, hollow. And that is exactly what it is. The compact Vuoto has no light source. Simply apply a GU10 light source of your choice. That makes this spotlight an ideal lighting solution for luxurious homes and catering establishments.

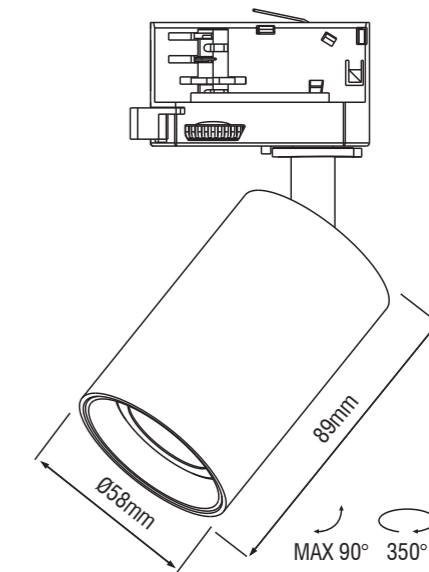
KARIZMA_{luce}

Vuoto.



Description	White	Black
1-Phase	605AW00000L0	605AB00000L0
3-Phase	605AW0000000	605AB00000000

Light source must be ordered separately.



220V TRACK LUMINAIRES.

Delizia di Luce
By KARIZMA_{luce}



Stretto

small spotlight, big gesture.

Thanks to the integrated driver and 3-phase adapter, the compact spotlight Stretto can be used both stylishly and flexibly. The Stretto is equipped with a 20° or 36° lens, is 90° tiltable and can be rotated 350°. The Stretto can be ordered with a (phase-cut) dimming option. It's also available with dim to warm and Casambi. To give a refined touch, the Stretto can also be supplied with a gold front ring. Perfect for restaurants, cafeterias and bars.

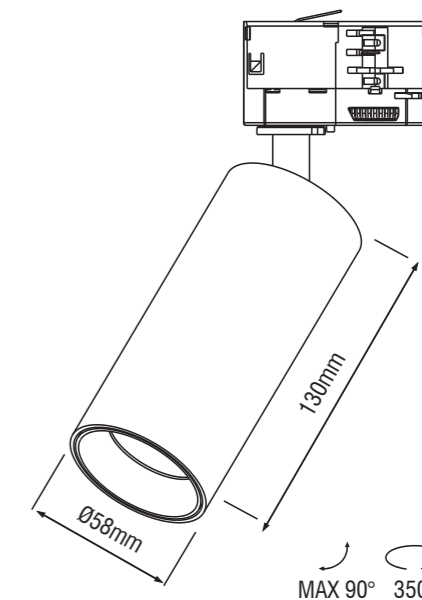
KARIZMA_{luce}

Stretto.



Description	Angle	White	Black
1000lm 927 9.5W	20°	604EW92720F0	604EB92720F0
1160lm 930 9.5W	20°	604EW93020F0	604EB93020F0
1100lm 940 9.5W	20°	604FW94020F0	604FB94020F0
1000lm 927 9.5W	36°	604EW92736F0	604EB92736F0
1160lm 930 9.5W	36°	604EW93036F0	604EB93036F0
1100lm 940 9.5W	36°	604FW94036F0	604FB94036F0

For Light source energy class and identifier please consult the datasheet on our website.



220V TRACK LUMINAIRES.



APÉRO
BOULÈS

144

145

KARIZMA luce

220V TRACK LUMINAIRE.

Delizia di Luce
By KARIZMA^{luce}



Tesoro

discover this treasure.

The Tesoro is a powerful track led spotlight with reflector, luxurious and extremely versatile.

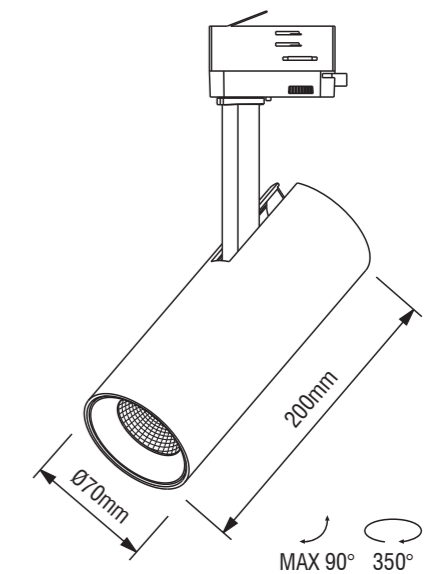
This small track spot is for use on a 3-phase track. This makes the Tesoro the luminaire of choice in a retail and hospitality. Choose from several options in colour, controllability, CCT and beam angles. No wonder the elegant Tesoro is a favourite among lighting designers.

Tesoro.



Description	Angle	White	Black
1550lm 927 19W	20°	603GW9272000	603GB9272000
1650lm 930 19W	20°	603GW9302000	603GB9302000
1800lm 940 19W	20°	603HW9402000	603HB9402000
1550lm 927 19W	30°	603GW9273000	603GB9273000
1650lm 930 19W	30°	603GW9303000	603GB9303000
1800lm 940 19W	30°	603HW9403000	603HB9403000
1550lm 927 19W	45°	603GW9274500	603GB9274500
1650lm 930 19W	45°	603GW9304500	603GB9304500
1800lm 940 19W	45°	603HW9404500	603HB9404500

For Light source energy class and identifier please consult the datasheet on our website.





Dodici Track

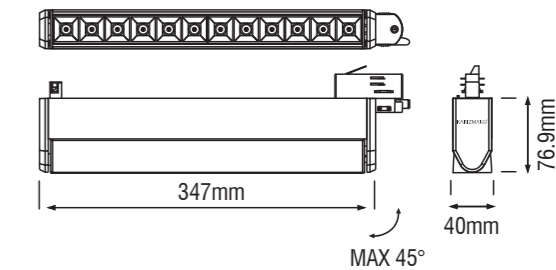
powerful, yet balanced.

Powerful but balanced lighting, anywhere you want it. That is what the Dodici Track (12 light sources, 347 mm) has to offer you. Simply click the elegant fixture in your track and tilt as desired. Distinctive? Yes, thanks to the compact size, the minimalist design and the contemporary black interior.

Dodici Track.



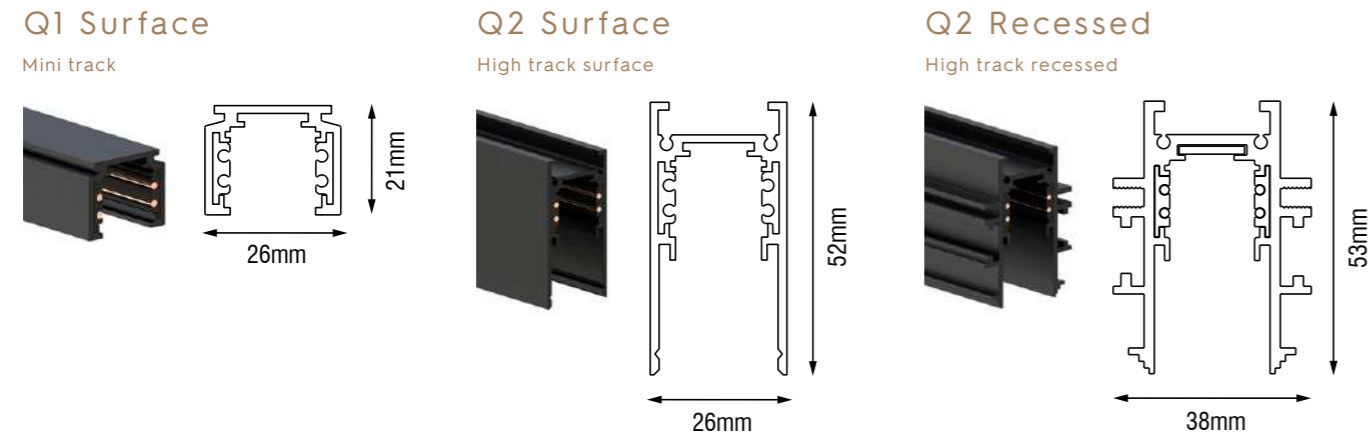
Description	Angle	White	Black
1550lm 927 19.5W	15°	701GW92715F0	701GB92715F0
1650lm 930 19.5W	15°	701GW93015F0	701GB93015F0
1550lm 927 19.5W	30°	701GW92730F0	701GB92730F0
1650lm 930 19.5W	30°	701GW93030F0	701GB93030F0
1550lm 927 19.5W	45°	701GW92745F0	701GB92745F0
1650lm 930 19.5W	45°	701GW93045F0	701GB93045F0



Q-Line Series
48V Track
Luminaires

The Principle Difference

The main difference between the Q1 and Q2 version is the height of the track in which the luminaires will be used. This can be seen in the images below.



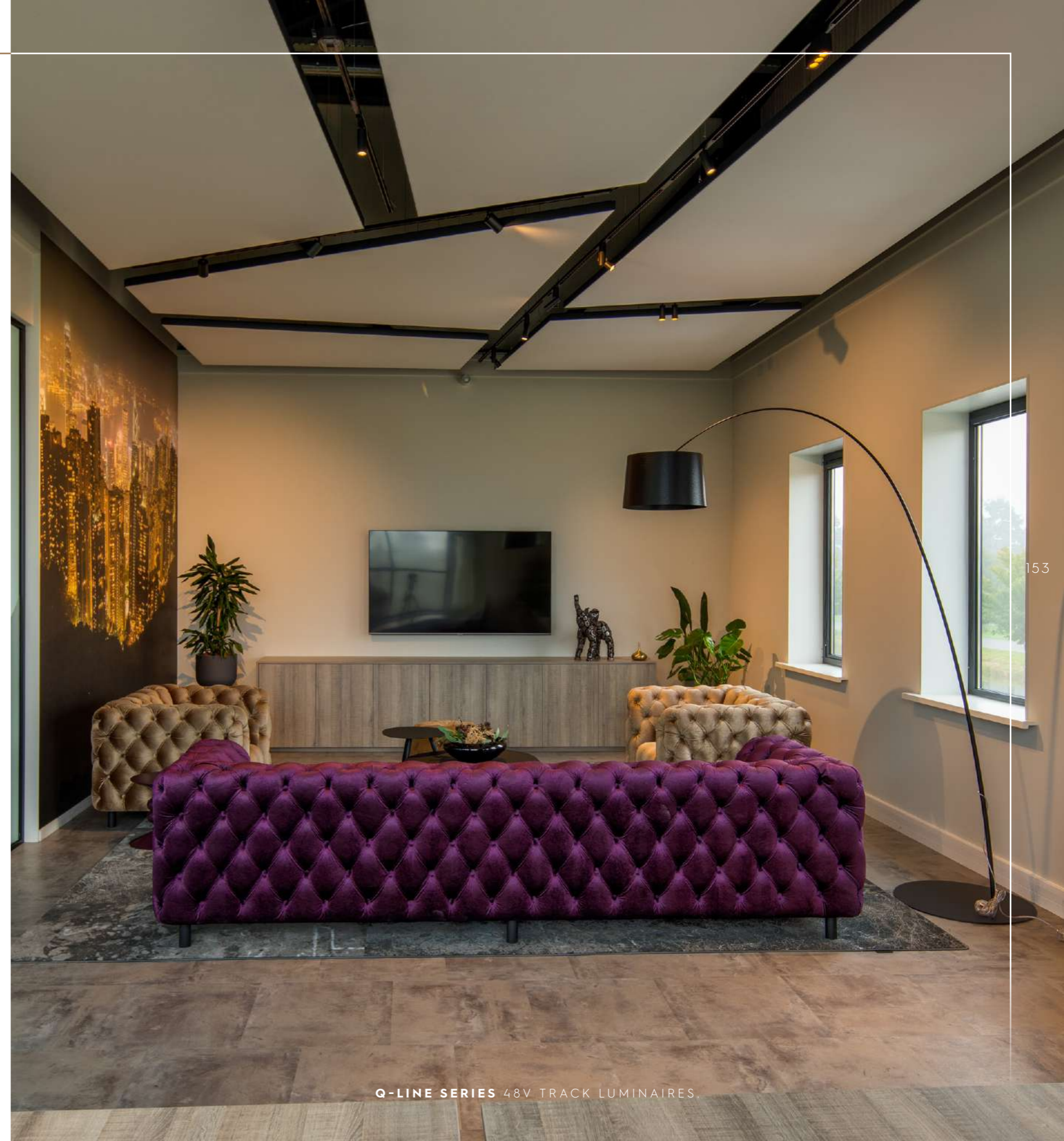
The Q1 track, which is available as a surface and suspended version, has a more subtle design. The Q2 is a higher track, and the luminaire is clicked deeper into it. Due to this, the luminaire has a longer arm, to fit inside of the tracking system. The Q2 emphasizes the track and provides an architectural appearance. The Q2 is available as surfaced, suspended or recessed (trimless) version. The selection of the correct luminaire (Q1 or Q2) depends on the track which you have chosen for your project. This will be according to the requirements of the design for surface and suspended version.

Track parts

Ensure that you select the proper accessories for the Q1 or Q2 track. The overview of the parts and assembly explanation you can find in our specific Q-line Series 48V Track brochure. This brochure is available for download at our webpage.

Options

The tracks are available in black and white and in different lengths (1m, 1.5m and 2m). The advantage of the track is their usage for both non-dim and dali-dim applications. Once the type of rail is determined, you can choose the perfect luminaire from our wide range of 48V products. Successful projects are guaranteed with the 48V Q-Line series. If you have any questions or special requests then please feel free to contact us.

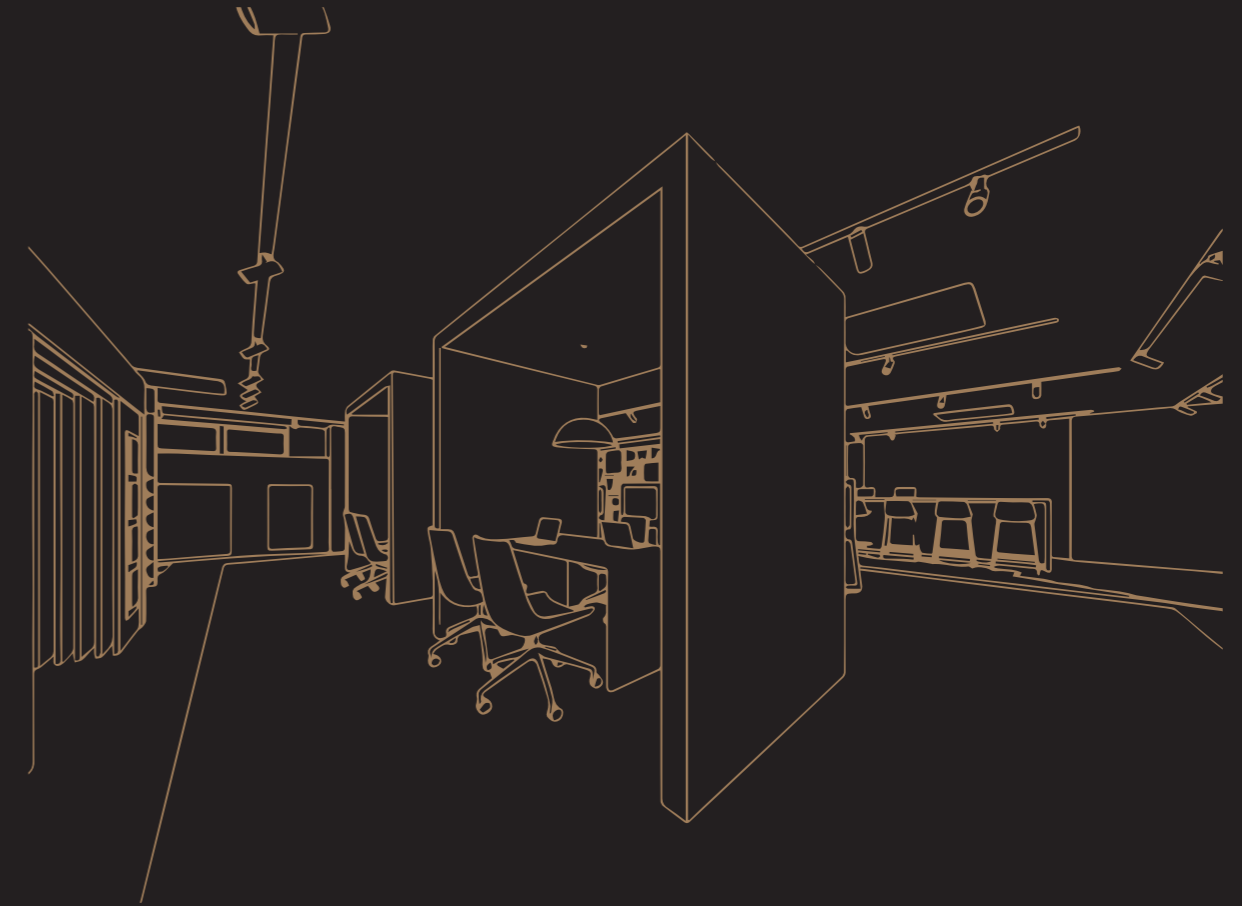


Q-Line series
48V TRACK SYSTEM

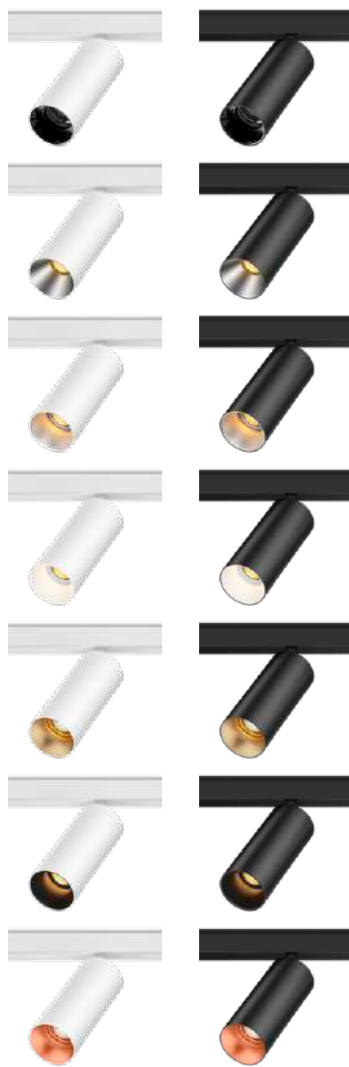


Dea Juno-Q1 / Q2 XS
small, smart and balanced.

The 48V luminaire Dea Juno is a real eye-catcher thanks to its small measurements, deep recessed light source and beautiful colour options. Use the Dea Juno in combination with Casambi to create a smart and balanced lighting solution. Particularly suitable for use in boutiques, hospitality and even in homes.

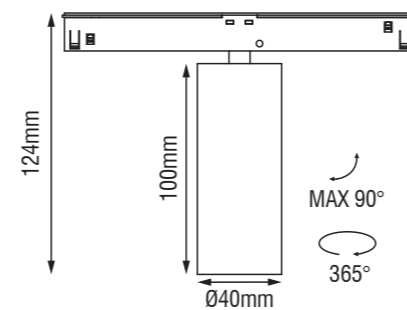


Dea Juno-Q1 XS.

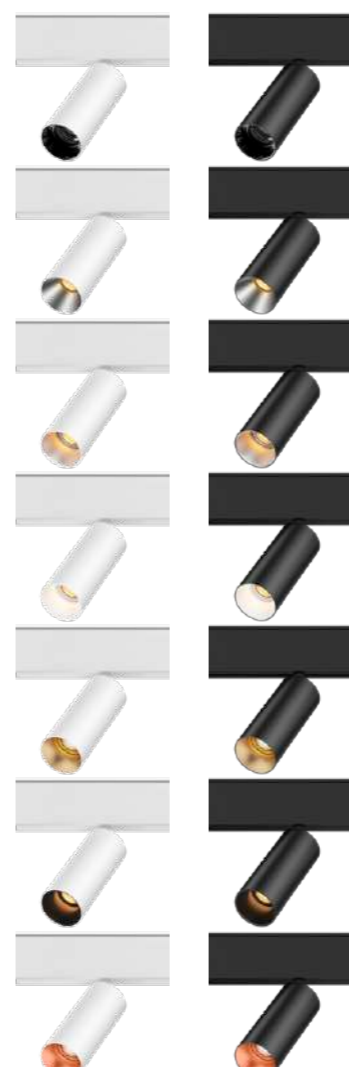


Description	Reflector	Angle	White	Black
490lm 927 7W	black high gloss	34°	Q611BW92734BGF0	Q611BB92734BGF0
500lm 930 7W	black high gloss	34°	Q611BW93034BGF0	Q611BB93034BGF0
510lm 940 7W	black high gloss	34°	Q611BW94034BGF0	Q611BB94034BGF0
490lm 927 7W	silver high gloss	34°	Q611BW92734SGF0	Q611BB92734SGF0
500lm 930 7W	silver high gloss	34°	Q611BW93034SGF0	Q611BB93034SGF0
510lm 940 7W	silver high gloss	34°	Q611BW94034SGF0	Q611BB94034SGF0
490lm 927 7W	chrome	34°	Q611BW92734CHF0	Q611BB92734CHF0
500lm 930 7W	chrome	34°	Q611BW93034CHF0	Q611BB93034CHF0
510lm 940 7W	chrome	34°	Q611BW94034CHF0	Q611BB94034CHF0
490lm 927 7W	white	34°	Q611BW92734WHF0	Q611BB92734WHF0
500lm 930 7W	white	34°	Q611BW93034WHF0	Q611BB93034WHF0
510lm 940 7W	white	34°	Q611BW94034WHF0	Q611BB94034WHF0
490lm 927 7W	gold	34°	Q611BW92734GOF0	Q611BB92734GOF0
500lm 930 7W	gold	34°	Q611BW93034GOF0	Q611BB93034GOF0
510lm 940 7W	gold	34°	Q611BW94034GOF0	Q611BB94034GOF0
490lm 927 7W	black matt	34°	Q611BW92734BMF0	Q611BB92734BMF0
500lm 930 7W	black matt	34°	Q611BW93034BMF0	Q611BB93034BMF0
510lm 940 7W	black matt	34°	Q611BW94034BMF0	Q611BB94034BMF0
490lm 927 7W	copper	34°	Q611BW92734COF0	Q611BB92734COF0
500lm 930 7W	copper	34°	Q611BW93034COF0	Q611BB93034COF0
510lm 940 7W	copper	34°	Q611BW94034COF0	Q611BB94034COF0

For the difference between Q1 and Q2 tracks, see page 152.

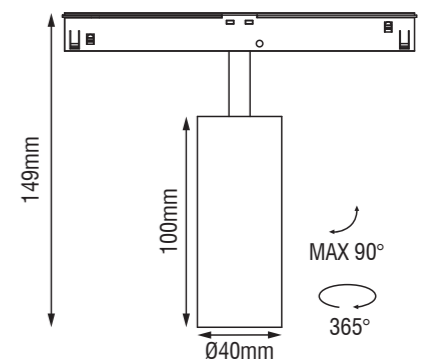


Dea Juno-Q2 XS.



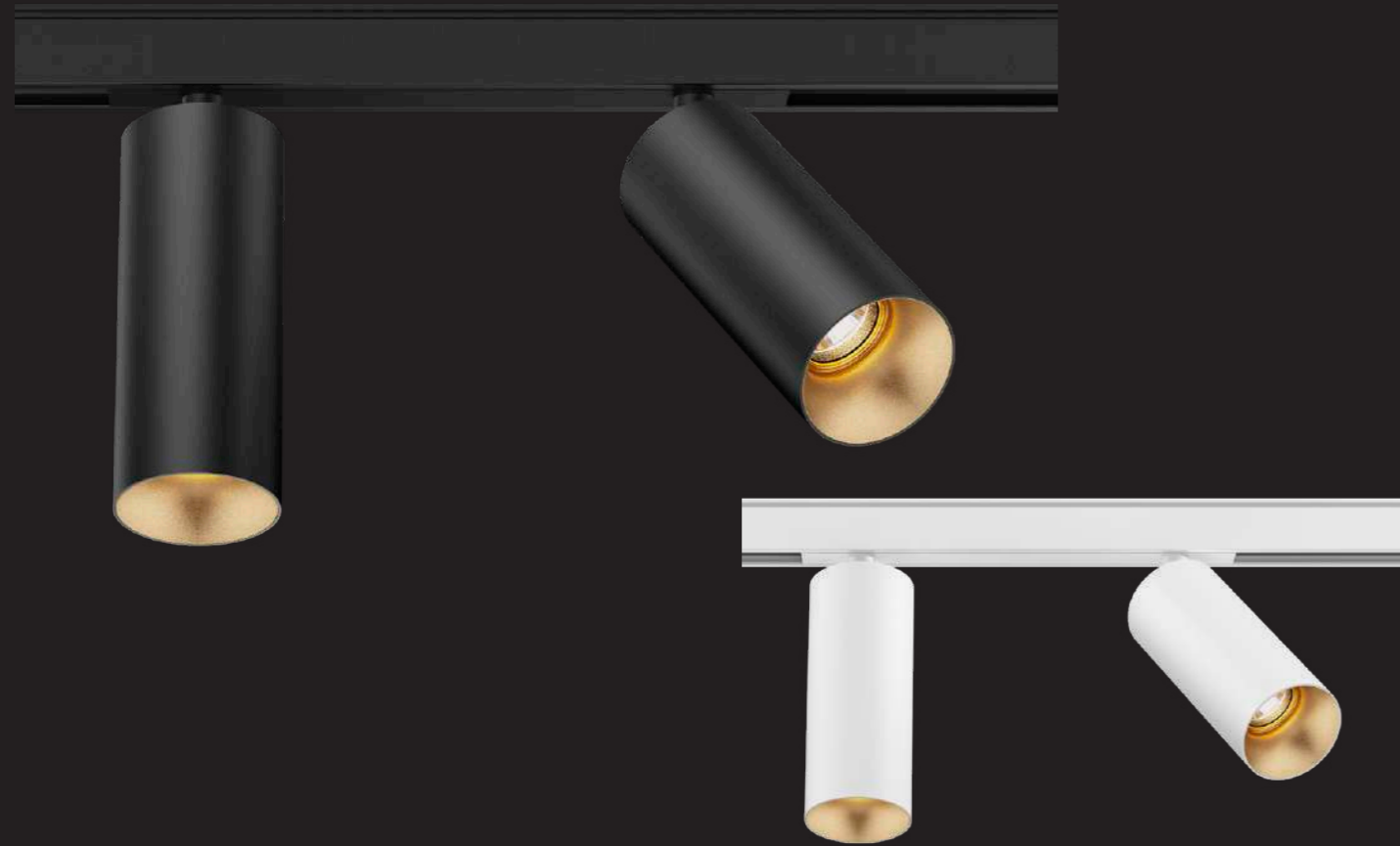
Description	Reflector	Angle	White	Black
490lm 927 7W	black high gloss	34°	Q621BW92734BG00	Q621BB92734BG00
500lm 930 7W	black high gloss	34°	Q621BW93034BG00	Q621BB93034BG00
510lm 940 7W	black high gloss	34°	Q621BW94034BG00	Q621BB94034BG00
490lm 927 7W	silver high gloss	34°	Q621BW92734SG00	Q621BB92734SG00
500lm 930 7W	silver high gloss	34°	Q621BW93034SG00	Q621BB93034SG00
510lm 940 7W	silver high gloss	34°	Q621BW94034SG00	Q621BB94034SG00
490lm 927 7W	chrome	34°	Q621BW92734CH00	Q621BB92734CH00
500lm 930 7W	chrome	34°	Q621BW93034CH00	Q621BB93034CH00
510lm 940 7W	chrome	34°	Q621BW94034CH00	Q621BB94034CH00
490lm 927 7W	white	34°	Q621BW92734WH00	Q621BB92734WH00
500lm 930 7W	white	34°	Q621BW93034WH00	Q621BB93034WH00
510lm 940 7W	white	34°	Q621BW94034WH00	Q621BB94034WH00
490lm 927 7W	gold	34°	Q621BW92734GO00	Q621BB92734GO00
500lm 930 7W	gold	34°	Q621BW93034GO00	Q621BB93034GO00
510lm 940 7W	gold	34°	Q621BW94034GO00	Q621BB94034GO00
490lm 927 7W	black matt	34°	Q621BW92734BM00	Q621BB92734BM00
500lm 930 7W	black matt	34°	Q621BW93034BM00	Q621BB93034BM00
510lm 940 7W	black matt	34°	Q621BW94034BM00	Q621BB94034BM00
490lm 927 7W	copper	34°	Q621BW92734COF0	Q621BB92734COF0
500lm 930 7W	copper	34°	Q621BW93034COF0	Q621BB93034COF0
510lm 940 7W	copper	34°	Q621BW94034COF0	Q621BB94034COF0

For the difference between Q1 and Q2 tracks, see page 152.





Q-Line series
48V TRACK SYSTEM



Dea Juno-Q1 / Q2 Duo XS
smart and balanced.

The 48V luminaire Dea Juno duo is a real eye-catcher thanks to its small measurements, deep recessed light source and beautiful colour options. This double 48V track spot ensures you not only a timeless design, it also offers maximum modern-day efficiency. It is perfectly suitable for spaces where frequent changes are typical, use the Dea Juno duo in combination with Casambi to create a smart and balanced lighting solution.

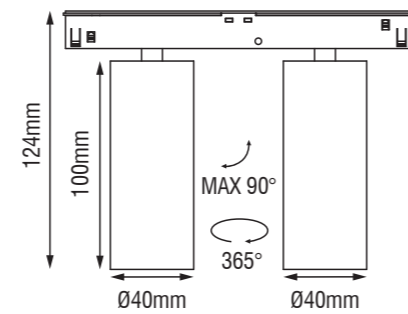


Dea Juno-Q1 DUO XS.



	Description	Reflector	Angle	White	Black
	2x490lm 927 14W	black high gloss	34°	Q612BW92734BGF0	Q612BB92734BGF0
	2x500lm 930 14W	black high gloss	34°	Q612BW93034BGF0	Q612BB93034BGF0
	2x510lm 940 14W	black high gloss	34°	Q612BW94034BGF0	Q612BB94034BGF0
	2x490lm 927 14W	silver high gloss	34°	Q612BW92734SGF0	Q612BB92734SGF0
	2x500lm 930 14W	silver high gloss	34°	Q612BW93034SGF0	Q612BB93034SGF0
	2x510lm 940 14W	silver high gloss	34°	Q612BW94034SGF0	Q612BB94034SGF0
	2x490lm 927 14W	chrome	34°	Q612BW92734CHF0	Q612BB92734CHF0
	2x500lm 930 14W	chrome	34°	Q612BW93034CHF0	Q612BB93034CHF0
	2x510lm 940 14W	chrome	34°	Q612BW94034CHF0	Q612BB94034CHF0
	2x490lm 927 14W	white	34°	Q612BW92734WHF0	Q612BB92734WHF0
	2x500lm 930 14W	white	34°	Q612BW93034WHF0	Q612BB93034WHF0
	2x510lm 940 14W	white	34°	Q612BW94034WHF0	Q612BB94034WHF0
	2x490lm 927 14W	gold	34°	Q612BW92734GOF0	Q612BB92734GOF0
	2x500lm 930 14W	gold	34°	Q612BW93034GOF0	Q612BB93034GOF0
	2x510lm 940 14W	gold	34°	Q612BW94034GOF0	Q612BB94034GOF0
	2x490lm 927 14W	black matt	34°	Q612BW92734BMF0	Q612BB92734BMF0
	2x500lm 930 14W	black matt	34°	Q612BW93034BMF0	Q612BB93034BMF0
	2x510lm 940 14W	black matt	34°	Q612BW94034BMF0	Q612BB94034BMF0
	2x490lm 927 14W	copper	34°	Q612BW92734COF0	Q612BB92734COF0
	2x500lm 930 14W	copper	34°	Q612BW93034COF0	Q612BB93034COF0
	2x510lm 940 14W	copper	34°	Q612BW94034COF0	Q612BB94034COF0

For the difference between Q1 and Q2 tracks, see page 152.

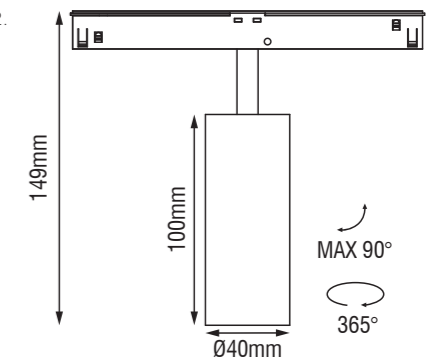


Dea Juno-Q2 DUO XS.



	Description	Reflector	Angle	White	Black
	2x490lm 927 14W	black high gloss	34°	Q622BW92734BGF0	Q622BB92734BGF0
	2x500lm 930 14W	black high gloss	34°	Q622BW93034BGF0	Q622BB93034BGF0
	2x510lm 940 14W	black high gloss	34°	Q622BW94034BGF0	Q622BB94034BGF0
	2x490lm 927 14W	silver high gloss	34°	Q622BW92734SGF0	Q622BB92734SGF0
	2x500lm 930 14W	silver high gloss	34°	Q622BW93034SGF0	Q622BB93034SGF0
	2x510lm 940 14W	silver high gloss	34°	Q622BW94034SGF0	Q622BB94034SGF0
	2x490lm 927 14W	chrome	34°	Q622BW92734CHF0	Q622BB92734CHF0
	2x500lm 930 14W	chrome	34°	Q622BW93034CHF0	Q622BB93034CHF0
	2x510lm 940 14W	chrome	34°	Q622BW94034CHF0	Q622BB94034CHF0
	2x490lm 927 14W	white	34°	Q622BW92734WHF0	Q622BB92734WHF0
	2x500lm 930 14W	white	34°	Q622BW93034WHF0	Q622BB93034WHF0
	2x510lm 940 14W	white	34°	Q622BW94034WHF0	Q622BB94034WHF0
	2x490lm 927 14W	gold	34°	Q622BW92734GOF0	Q622BB92734GOF0
	2x500lm 930 14W	gold	34°	Q622BW93034GOF0	Q622BB93034GOF0
	2x510lm 940 14W	gold	34°	Q622BW94034GOF0	Q622BB94034GOF0
	2x490lm 927 14W	black matt	34°	Q622BW92734BMF0	Q622BB92734BMF0
	2x500lm 930 14W	black matt	34°	Q622BW93034BMF0	Q622BB93034BMF0
	2x510lm 940 14W	black matt	34°	Q622BW94034BMF0	Q622BB94034BMF0
	2x490lm 927 14W	copper	34°	Q622BW92734COF0	Q622BB92734COF0
	2x500lm 930 14W	copper	34°	Q622BW93034COF0	Q622BB93034COF0
	2x510lm 940 14W	copper	34°	Q622BW94034COF0	Q622BB94034COF0

For the difference between Q1 and Q2 tracks, see page 152.



Q-Line series
48V TRACK SYSTEM



Dea Juventas-Q XS
simply plug and play.

Our youngest asset to the 48V family is the Dea Juventas. Small, but very talented. Especially when it comes to accuracy and efficiency. This miniature luminaire can be adjusted just the way you want it. Thanks to the 48V low voltage you can just simply plug and play and have a vibrant lighting solution for years to come.

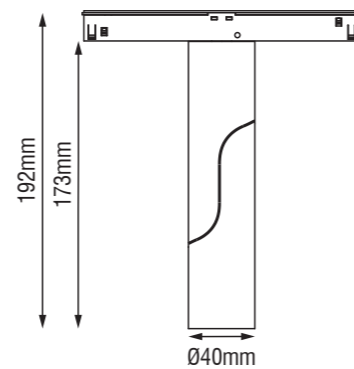


Dea Juventas-Q1 XS.



Description		Reflector	Angle	White	Black
		black high gloss	34°	Q613BW92734BGF0	Q613BB92734BGF0
		black high gloss	34°	Q613BW93034BGF0	Q613BB93034BGF0
		black high gloss	34°	Q613BW94034BGF0	Q613BB94034BGF0
		silver high gloss	34°	Q613BW92734SGF0	Q613BB92734SGF0
		silver high gloss	34°	Q613BW93034SGF0	Q613BB93034SGF0
		silver high gloss	34°	Q613BW94034SGF0	Q613BB94034SGF0
		chrome	34°	Q613BW92734CHF0	Q613BB92734CHF0
		chrome	34°	Q613BW93034CHF0	Q613BB93034CHF0
		chrome	34°	Q613BW94034CHF0	Q613BB94034CHF0
		white	34°	Q613BW92734WHF0	Q613BB92734WHF0
		white	34°	Q613BW93034WHF0	Q613BB93034WHF0
		white	34°	Q613BW94034WHF0	Q613BB94034WHF0
		gold	34°	Q613BW92734GOF0	Q613BB92734GOF0
		gold	34°	Q613BW93034GOF0	Q613BB93034GOF0
		gold	34°	Q613BW94034GOF0	Q613BB94034GOF0
		black matt	34°	Q613BW92734BMF0	Q613BB92734BMF0
		black matt	34°	Q613BW93034BMF0	Q613BB93034BMF0
		black matt	34°	Q613BW94034BMF0	Q613BB94034BMF0
		copper	34°	Q613BW92734COF0	Q613BB92734COF0
		copper	34°	Q613BW93034COF0	Q613BB93034COF0
		copper	34°	Q613BW94034COF0	Q613BB94034COF0

For the difference between Q1 and Q2 tracks, see page 152.

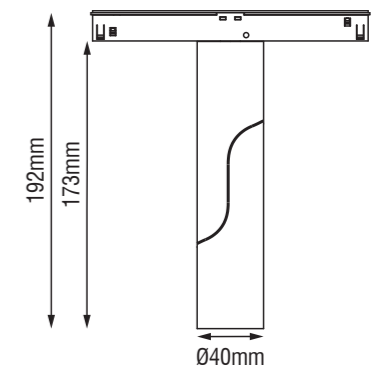


Dea Juventas-Q2 XS.



Description		Reflector	Angle	White	Black
		black high gloss	34°	Q623BW92734BGF0	Q623BB92734BGF0
		black high gloss	34°	Q623BW93034BGF0	Q623BB93034BGF0
		black high gloss	34°	Q623BW94034BGF0	Q623BB94034BGF0
		silver high gloss	34°	Q623BW92734SGF0	Q623BB92734SGF0
		silver high gloss	34°	Q623BW93034SGF0	Q623BB93034SGF0
		silver high gloss	34°	Q623BW94034SGF0	Q623BB94034SGF0
		chrome	34°	Q623BW92734CHF0	Q623BB92734CHF0
		chrome	34°	Q623BW93034CHF0	Q623BB93034CHF0
		chrome	34°	Q623BW94034CHF0	Q623BB94034CHF0
		white	34°	Q623BW92734WHF0	Q623BB92734WHF0
		white	34°	Q623BW93034WHF0	Q623BB93034WHF0
		white	34°	Q623BW94034WHF0	Q623BB94034WHF0
		gold	34°	Q623BW92734GOF0	Q623BB92734GOF0
		gold	34°	Q623BW93034GOF0	Q623BB93034GOF0
		gold	34°	Q623BW94034GOF0	Q623BB94034GOF0
		black matt	34°	Q623BW92734BMF0	Q623BB92734BMF0
		black matt	34°	Q623BW93034BMF0	Q623BB93034BMF0
		black matt	34°	Q623BW94034BMF0	Q623BB94034BMF0
		copper	34°	Q623BW92734COF0	Q623BB92734COF0
		copper	34°	Q623BW93034COF0	Q623BB93034COF0
		copper	34°	Q623BW94034COF0	Q623BB94034COF0

For the difference between Q1 and Q2 tracks, see page 152.

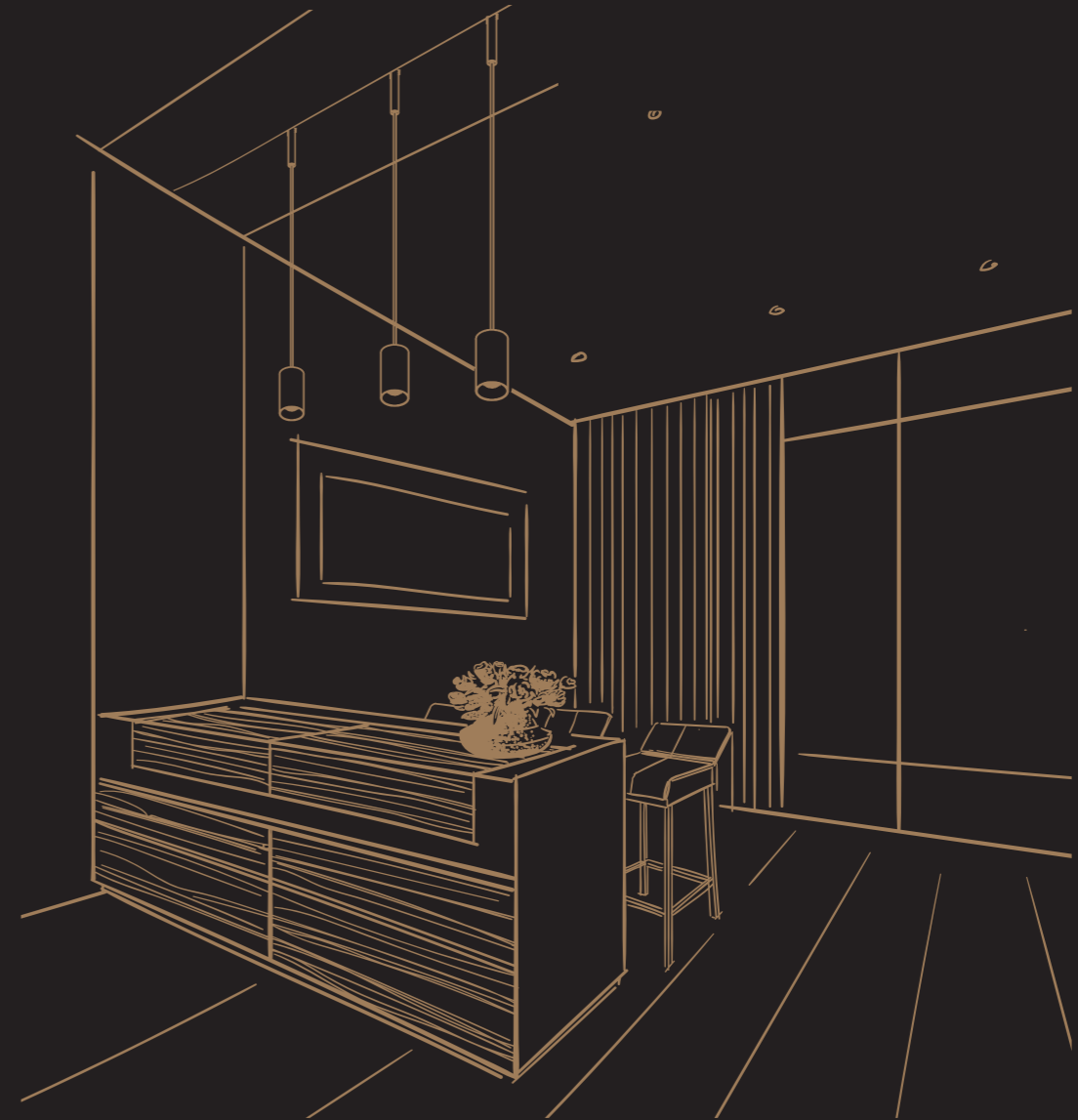


Q-Line series
48V TRACK SYSTEM

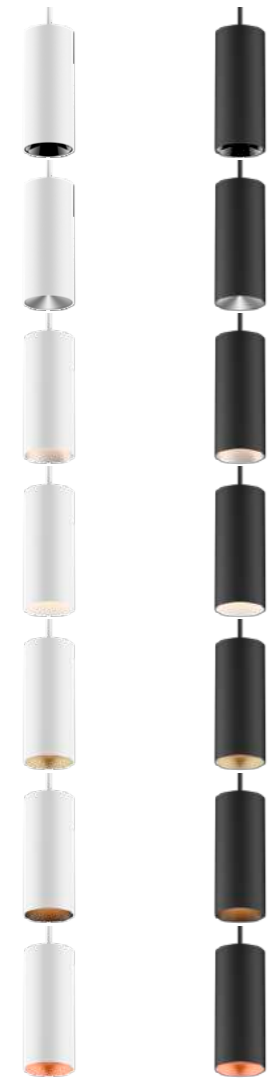


Dea Vesta-Q1 / Q2
bringing people together.

Hearth, home and family. The virgin goddess Vesta was there to protect and cherish these values. The 48V Dea Vesta essentially does the same: this surprisingly small luminaire is developed to bring people together. Her light enriches places in the most efficient way and opens doors to countless creative lighting solutions.

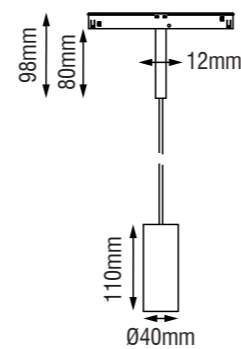


Dea Vesta-Q1 / Q2 XS.



Description	Reflector	Angle	White	Black
490lm 927 7W	black high gloss	34°	Q503BW92734BGF0	Q503BB92734BGF0
500lm 930 7W	black high gloss	34°	Q503BW93034BGF0	Q503BB93034BGF0
510lm 940 7W	black high gloss	34°	Q503BW94034BGF0	Q503BB94034BGF0
490lm 927 7W	silver high gloss	34°	Q503BW92734SGF0	Q503BB92734SGF0
500lm 930 7W	silver high gloss	34°	Q503BW93034SGF0	Q503BB93034SGF0
510lm 940 7W	silver high gloss	34°	Q503BW94034SGF0	Q503BB94034SGF0
490lm 927 7W	chrome	34°	Q503BW92734CHF0	Q503BB92734CHF0
500lm 930 7W	chrome	34°	Q503BW93034CHF0	Q503BB93034CHF0
510lm 940 7W	chrome	34°	Q503BW94034CHF0	Q503BB94034CHF0
490lm 927 7W	white	34°	Q503BW92734WHF0	Q503BB92734WHF0
500lm 930 7W	white	34°	Q503BW93034WHF0	Q503BB93034WHF0
510lm 940 7W	white	34°	Q503BW94034WHF0	Q503BB94034WHF0
490lm 927 7W	gold	34°	Q503BW92734GOF0	Q503BB92734GOF0
500lm 930 7W	gold	34°	Q503BW93034GOF0	Q503BB93034GOF0
510lm 940 7W	gold	34°	Q503BW94034GOF0	Q503BB94034GOF0
490lm 927 7W	black matt	34°	Q503BW92734BMF0	Q503BB92734BMF0
500lm 930 7W	black matt	34°	Q503BW93034BMF0	Q503BB93034BMF0
510lm 940 7W	black matt	34°	Q503BW94034BMF0	Q503BB94034BMF0
490lm 927 7W	copper	34°	Q503BW92734COF0	Q503BB92734COF0
500lm 930 7W	copper	34°	Q503BW93034COF0	Q503BB93034COF0
510lm 940 7W	copper	34°	Q503BW94034COF0	Q503BB94034COF0

For the difference between Q1 and Q2 tracks, see page 152.

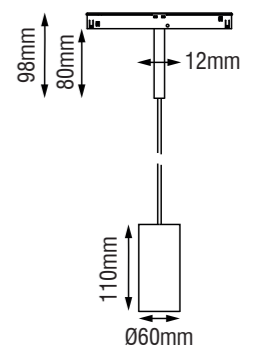


Dea Vesta-Q1 / Q2 S.



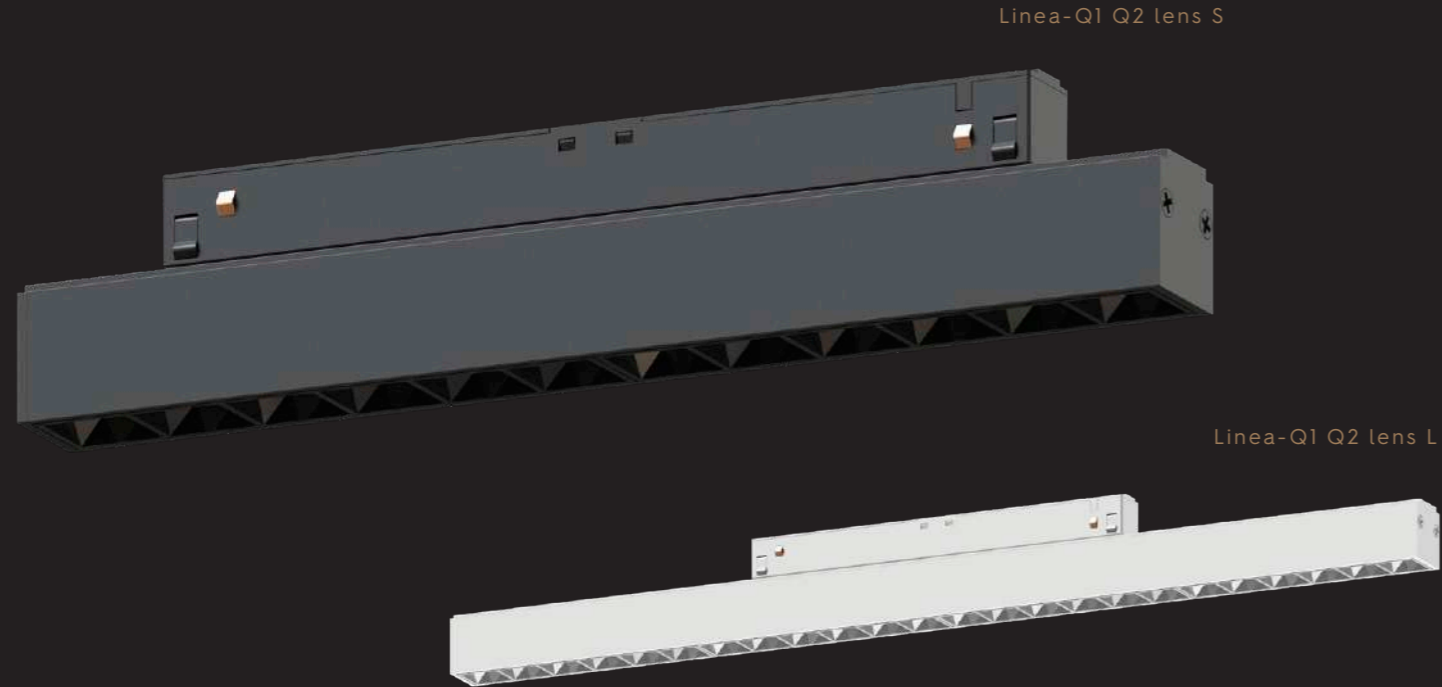
Description	Reflector	Angle	White	Black
790lm 927 10.5W	black high gloss	40°	Q502DW92740BGF0	Q502DB92740BGF0
800lm 930 10.5W	black high gloss	40°	Q502DW93040BGF0	Q502DB93040BGF0
810lm 940 10.5W	black high gloss	40°	Q502DW94040BGF0	Q502DB94040BGF0
790lm 927 10.5W	silver high gloss	40°	Q502DW92740SGF0	Q502DB92740SGF0
800lm 930 10.5W	silver high gloss	40°	Q502DW93040SGF0	Q502DB93040SGF0
810lm 940 10.5W	silver high gloss	40°	Q502DW94040SGF0	Q502DB94040SGF0
790lm 927 10.5W	chrome	40°	Q502DW92740CHF0	Q502DB92740CHF0
800lm 930 10.5W	chrome	40°	Q502DW93040CHF0	Q502DB93040CHF0
810lm 940 10.5W	chrome	40°	Q502DW94040CHF0	Q502DB94040CHF0
790lm 927 10.5W	white	40°	Q502DW92740WHF0	Q502DB92740WHF0
800lm 930 10.5W	white	40°	Q502DW93040WHF0	Q502DB93040WHF0
810lm 940 10.5W	white	40°	Q502DW94040WHF0	Q502DB94040WHF0
790lm 927 10.5W	gold	40°	Q502DW92740GOF0	Q502DB92740GOF0
800lm 930 10.5W	gold	40°	Q502DW93040GOF0	Q502DB93040GOF0
810lm 940 10.5W	gold	40°	Q502DW94040GOF0	Q502DB94040GOF0
790lm 927 10.5W	black matt	40°	Q502DW92740BMF0	Q502DB92740BMF0
800lm 930 10.5W	black matt	40°	Q502DW93040BMF0	Q502DB93040BMF0
810lm 940 10.5W	black matt	40°	Q502DW94040BMF0	Q502DB94040BMF0
790lm 927 10.5W	copper	40°	Q502DW92740COF0	Q502DB92740COF0
800lm 930 10.5W	copper	40°	Q502DW93040COF0	Q502DB93040COF0
810lm 940 10.5W	copper	40°	Q502DW94040COF0	Q502DB94040COF0

For the difference between Q1 and Q2 tracks, see page 152.





Q-Line series 48V TRACK SYSTEM



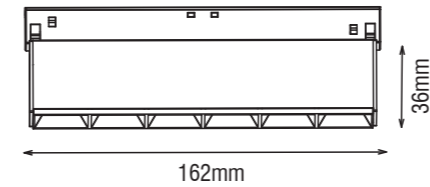
Linea-Q1 Lens

perfect line of light.

The Italian meaning of Linea is 'line' and that is exactly what this 48V linear luminaire of our Q-Line series creates. Clicked in a subtle 48V recessed, surface or suspended track, the adjustable track light with parabolic louvre creates a stunning and perfect straight line of light.

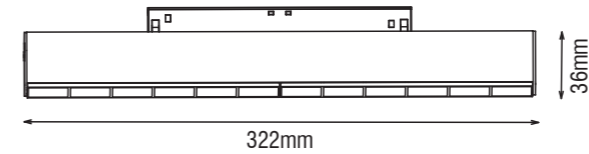
Available with 15°, 30° and 45° beam angles. Available in black and white.

Linea-Q1 Lens XS.



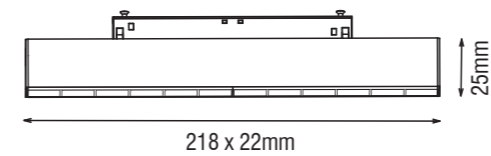
Description	Angle	White	Black
650lm 930 10W	15°	Q646CW93015F0	Q646CB93015F0
700lm 940 10W	15°	Q646CW94015F0	Q646CB94015F0
650lm 930 10W	30°	Q646CW93030F0	Q646CB93030F0
700lm 940 10W	30°	Q646CW94030F0	Q646CB94030F0
650lm 930 10W	45°	Q646CW93045F0	Q646CB93045F0
700lm 940 10W	45°	Q646CW94045F0	Q646CB94045F0

Linea-Q1 Lens M.



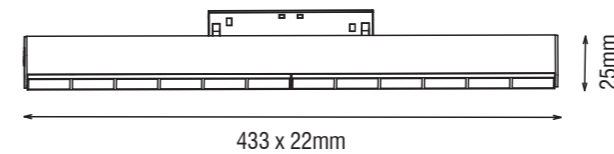
1300lm 930 20W	15°	Q647FW93015F0	Q647FB93015F0
1400lm 940 20W	15°	Q647FW94015F0	Q647FB94015F0
1300lm 930 20W	30°	Q647FW93030F0	Q647FB93030F0
1400lm 940 20W	30°	Q647FW94030F0	Q647FB94030F0
1300lm 930 20W	45°	Q647FW93045F0	Q647FB93045F0
1400lm 940 20W	45°	Q647FW94045F0	Q647FB94045F0

Linea-Q1 Q2 Lens S.



1300lm 930 20W	15°	Q647FW93015F0	Q647FB93015F0
1400lm 940 20W	15°	Q647FW94015F0	Q647FB94015F0
1300lm 930 20W	30°	Q647FW93030F0	Q647FB93030F0
1400lm 940 20W	30°	Q647FW94030F0	Q647FB94030F0
1300lm 930 20W	45°	Q647FW93045F0	Q647FB93045F0
1400lm 940 20W	45°	Q647FW94045F0	Q647FB94045F0

Linea-Q1 Q2 Lens L.



1300lm 930 20W	15°	Q647FW93015F0	Q647FB93015F0
1400lm 940 20W	15°	Q647FW94015F0	Q647FB94015F0
1300lm 930 20W	30°	Q647FW93030F0	Q647FB93030F0
1400lm 940 20W	30°	Q647FW94030F0	Q647FB94030F0
1300lm 930 20W	45°	Q647FW93045F0	Q647FB93045F0
1400lm 940 20W	45°	Q647FW94045F0	Q647FB94045F0

For the difference between Q1 and Q2 tracks, see page 152.

Q-Line series
48V TRACK SYSTEM

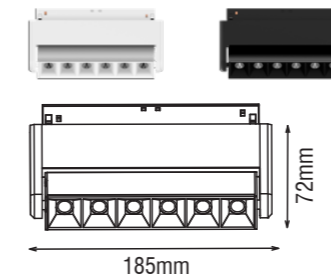


Linea-Q1 Lens Adjustable
perfect line of light.

Optimize your lighting solution with the 85° adjustable Linea LENS Adjustable.

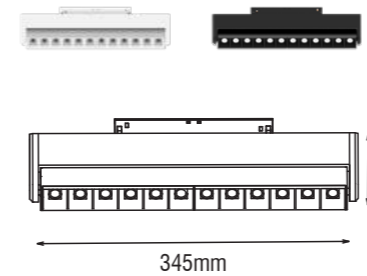
The adjustable optical part, parabolic louvre and different beam angles (15°, 30° and 45°) makes the Linea LENS Adjustable a big tribute to your lighting plan. Minimalistic designed, but yet with great impact. Available in black and white.

Linea-Q1 Lens XS Adjustable.



Description	Angle	White	Black
650lm 930 10W	15°	Q648CW93015F0	Q648CB93015F0
700lm 940 10W	15°	Q648CW94015F0	Q648CB94015F0
650lm 930 10W	30°	Q648CW93030F0	Q648CB93030F0
700lm 940 10W	30°	Q648CW94030F0	Q648CB94030F0
650lm 930 10W	45°	Q648CW93045F0	Q648CB93045F0
700lm 940 10W	45°	Q648CW94045F0	Q648CB94045F0

Linea-Q1 Lens M Adjustable.



Description	Angle	White	Black
1300lm 930 20W	15°	Q649FW93015F0	Q649FB93015F0
1400lm 940 20W	15°	Q649FW94015F0	Q649FB94015F0
1300lm 930 20W	30°	Q649FW93030F0	Q649FB93030F0
1400lm 940 20W	30°	Q649FW94030F0	Q649FB94030F0
1300lm 930 20W	45°	Q649FW93045F0	Q649FB93045F0
1400lm 940 20W	45°	Q649FW94045F0	Q649FB94045F0

For the difference between Q1 and Q2 tracks, see page 152.

Q-Line series

48V TRACK SYSTEM



Linea-Q1 Q2 Opal L

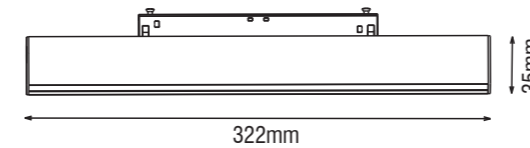
Linea-Q1 Q2 Opal S

Linea-Q1 Opal

perfect line of light.

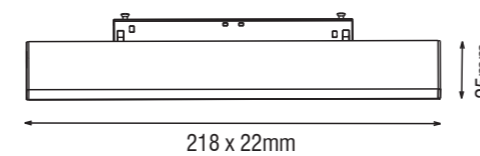
A stunning and perfect straight line of light is what this Linea luminaire with opal diffuser creates. Thanks to 48V low voltage track it is easy to assemble, just simply click the fixture in a subtle recessed, surface or suspended track, and have a vibrant lighting solution for years to come. Available with a beam angle of 90° and black and white housing.

Linea-Q1 Opal M.



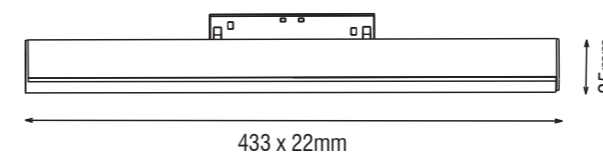
Description	Angle	White	Black
1300lm 930 20W	90°	Q650FW93090F0	Q650FB93090F0
1400lm 940 20W	90°	Q650FW94090F0	Q650FB94090F0

Linea-Q1 Q2 Opal S.



Description	Angle	White	Black
1000lm 930 14W	90°	Q653DW93090F0	Q653DB93090F0
1100lm 940 14W	90°	Q653DW94090F0	Q653DB94090F0

Linea-Q1 Q2 Opal L.



Description	Angle	White	Black
1800lm 930 28W	90°	Q654HW93015F0	Q654HB93015F0
1950lm 940 28W	90°	Q654HW94015F0	Q654HB94015F0

For the difference between Q1 and Q2 tracks, see page 152.

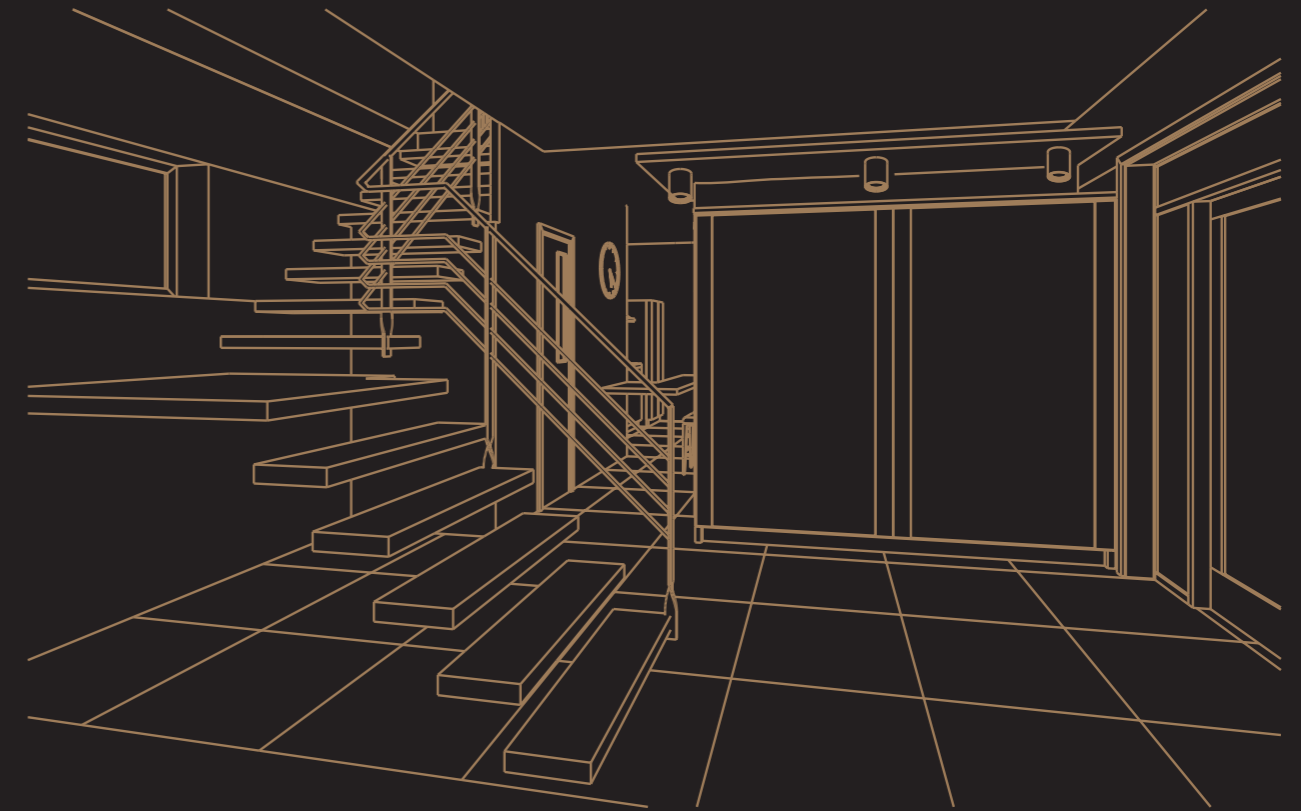
Surface
Luminaires

Dea Della Luce
By KARIZMA_{luce}



Dea Flora
the best of two worlds.

The round tiltable surface-mounted Dea Flora offers the best of two worlds. Not only is the Dea Flora a beautiful addition to every interior, this downlight also offers the same sizes and lumen packages as our recessed downlights. Ideal for use in rooms where ceilings don't permit recessed luminaires. Delight your project by choosing one of the six available colour options and endless applications.

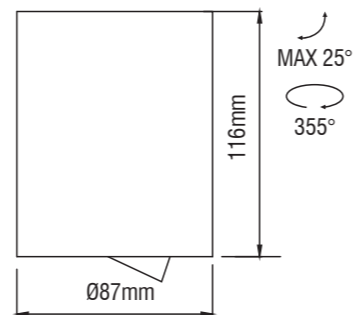


Dea Flora S.



Description	Reflector	Angle	White	Black
830lm 927 10.5W	black high gloss	40°	402DW92740BGF0	402DB92740BGF0
860lm 930 10.5W	black high gloss	40°	402DW93040BGF0	402DB93040BGF0
870lm 940 10.5W	black high gloss	40°	402DW94040BGF0	402DB94040BGF0
900lm 927 10.5W	silver high gloss	40°	402DW92740SGF0	402DB92740SGF0
950lm 930 10.5W	silver high gloss	40°	402DW93040SGF0	402DB93040SGF0
960lm 940 10.5W	silver high gloss	40°	402DW94040SGF0	402DB94040SGF0
890lm 927 10.5W	chrome	40°	402DW92740CHF0	402DB92740CHF0
930lm 930 10.5W	chrome	40°	402DW93040CHF0	402DB93040CHF0
940lm 940 10.5W	chrome	40°	402DW94040CHF0	402DB94040CHF0
840lm 927 10.5W	white	40°	402DW92740WHF0	402DB92740WHF0
880lm 930 10.5W	white	40°	402DW93040WHF0	402DB93040WHF0
890lm 940 10.5W	white	40°	402DW94040WHF0	402DB94040WHF0
840lm 927 10.5W	gold	40°	402DW92740GOF0	402DB92740GOF0
880lm 930 10.5W	gold	40°	402DW93040GOF0	402DB93040GOF0
890lm 940 10.5W	gold	40°	402DW94040GOF0	402DB94040GOF0
760lm 927 10.5W	black matt	40°	402DW92740BMF0	402DB92740BMF0
800lm 930 10.5W	black matt	40°	402DW93040BMF0	402DB93040BMF0
810lm 940 10.5W	black matt	40°	402DW94040BMF0	402DB94040BMF0
840lm 927 10.5W	copper	40°	402DW92740COF0	402DB92740COF0
880lm 930 10.5W	copper	40°	402DW93040COF0	402DB93040COF0
890lm 940 10.5W	copper	40°	402DW94040COF0	402DB94040COF0

For Light source energy class and identifier please consult the datasheet on our website.

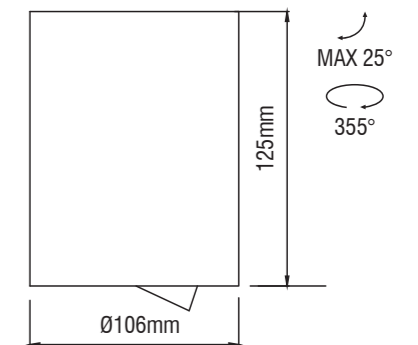


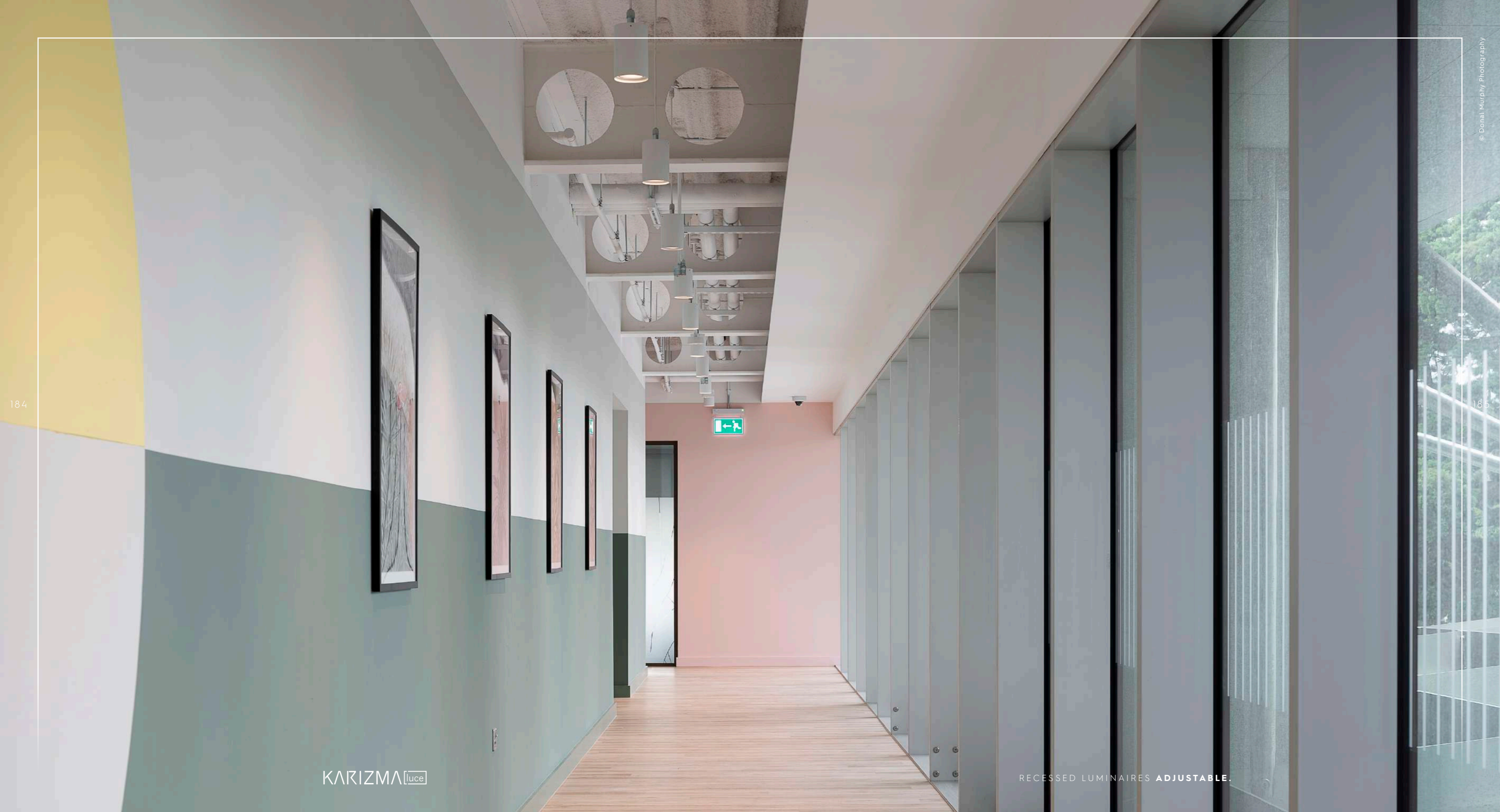
Dea Flora M.



Description	Reflector	Angle	White	Black
1140lm 927 14W	black high gloss	40°	401EW92740BGF0	401EB92740BGF0
1180lm 930 14W	black high gloss	40°	401EW93040BGF0	401EB93040BGF0
1200lm 940 14W	black high gloss	40°	401EW94040BGF0	401EB94040BGF0
1240lm 927 14W	silver high gloss	40°	401EW92740SGF0	401EB92740SGF0
1290lm 930 14W	silver high gloss	40°	401EW93040SGF0	401EB93040SGF0
1300lm 940 14W	silver high gloss	40°	401EW94040SGF0	401EB94040SGF0
1200lm 927 14W	chrome	40°	401EW92740CHF0	401EB92740CHF0
1260lm 930 14W	chrome	40°	401EW93040CHF0	401EB93040CHF0
1270lm 940 14W	chrome	40°	401EW94040CHF0	401EB94040CHF0
1160lm 927 14W	white	40°	401EW92740WHF0	401EB92740WHF0
1200lm 930 14W	white	40°	401EW93040WHF0	401EB93040WHF0
1220lm 940 14W	white	40°	401EW94040WHF0	401EB94040WHF0
1160lm 927 14W	gold	40°	401EW92740GOF0	401EB92740GOF0
1200lm 930 14W	gold	40°	401EW93040GOF0	401EB93040GOF0
1220lm 940 14W	gold	40°	401EW94040GOF0	401EB94040GOF0
1060lm 927 14W	black matt	40°	401EW92740BMF0	401EB92740BMF0
1120lm 930 14W	black matt	40°	401EW93040BMF0	401EB93040BMF0
1130lm 940 14W	black matt	40°	401EW94040BMF0	401EB94040BMF0
1160lm 927 14W	copper	40°	401EW92740COF0	401EB92740COF0
1200lm 930 14W	copper	40°	401EW93040COF0	401EB93040COF0
1220lm 940 14W	copper	40°	401EW94040COF0	401EB94040COF0

For Light source energy class and identifier please consult the datasheet on our website.



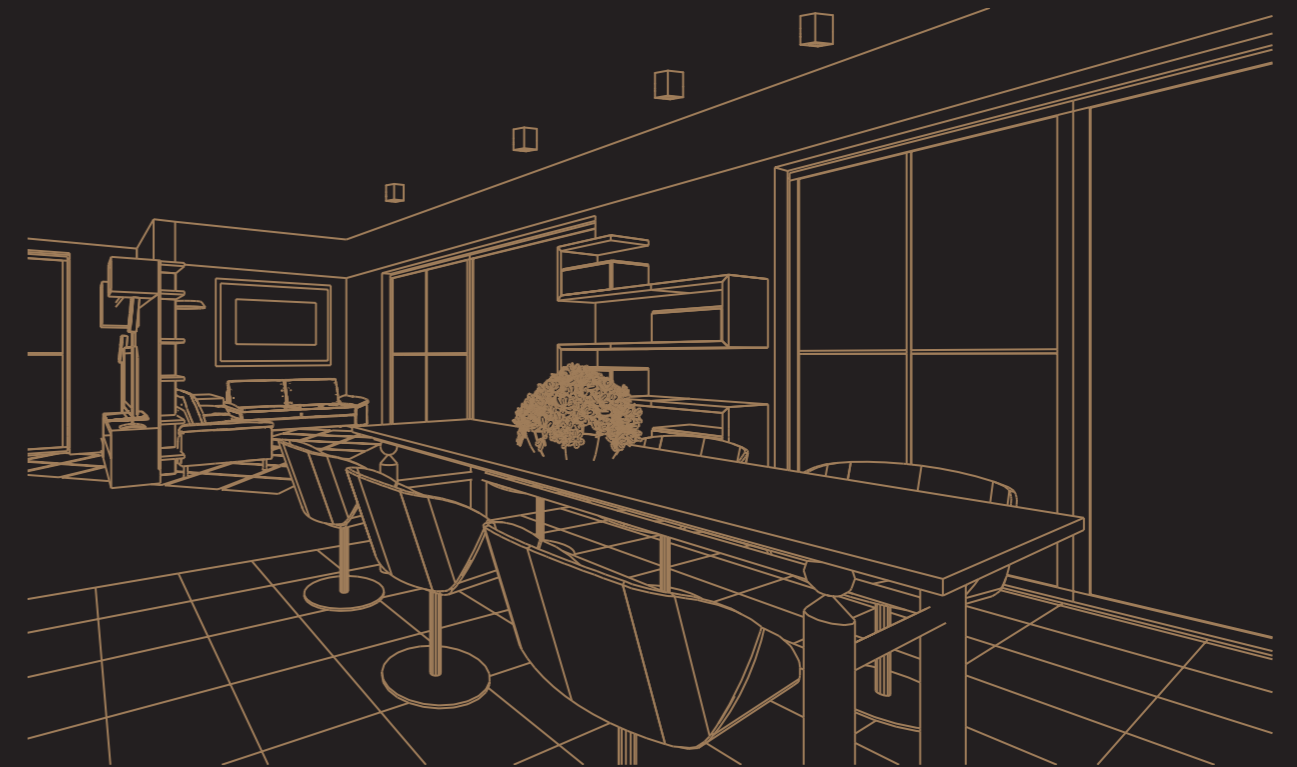


Dea Della Luce
By KARIZMA^{luce}

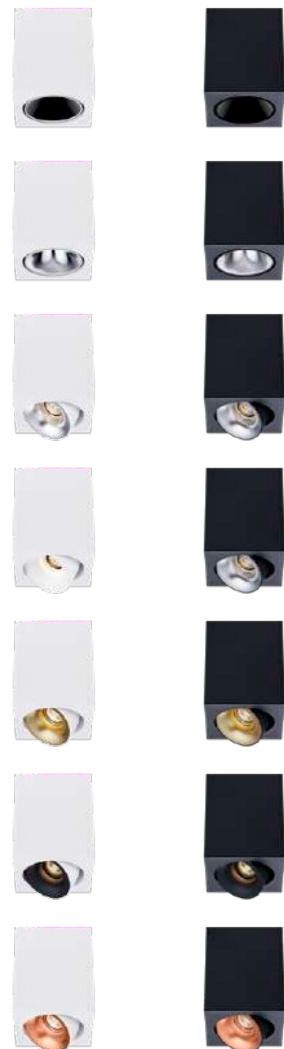


Dea Fauna
fair and square.

The Dea Fauna is a square tiltable surface-mounted downlight. It's truly is an outstanding feature in every environment. This downlight offers the same sizes and lumen packages as our recessed downlights. This guarantees a very high performance, also in rooms where ceilings don't permit recessed luminaires. Make your choice out of the six available colour options and the endless applications.

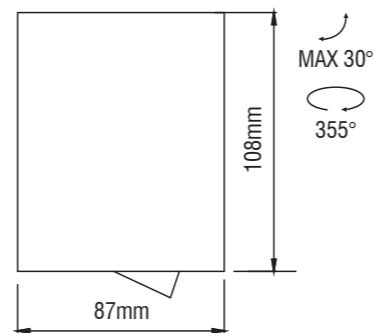


Dea Fauna S.



Description	Reflector	Angle	White	Black
830lm 927 10.5W	black high gloss	40°	404DW92740BGF0	404DB92740BGF0
860lm 930 10.5W	black high gloss	40°	404DW93040BGF0	404DB93040BGF0
870lm 940 10.5W	black high gloss	40°	404DW94040BGF0	404DB94040BGF0
900lm 927 10.5W	silver high gloss	40°	404DW92740SGF0	404DB92740SGF0
950lm 930 10.5W	silver high gloss	40°	404DW93040SGF0	404DB93040SGF0
960lm 940 10.5W	silver high gloss	40°	404DW94040SGF0	404DB94040SGF0
890lm 927 10.5W	chrome	40°	404DW92740CHF0	404DB92740CHF0
930lm 930 10.5W	chrome	40°	404DW93040CHF0	404DB93040CHF0
940lm 940 10.5W	chrome	40°	404DW94040CHF0	404DB94040CHF0
840lm 927 10.5W	white	40°	404DW92740WHF0	404DB92740WHF0
880lm 930 10.5W	white	40°	404DW93040WHF0	404DB93040WHF0
890lm 940 10.5W	white	40°	404DW94040WHF0	404DB94040WHF0
840lm 927 10.5W	gold	40°	404DW92740GOF0	404DB92740GOF0
880lm 930 10.5W	gold	40°	404DW93040GOF0	404DB93040GOF0
890lm 940 10.5W	gold	40°	404DW94040GOF0	404DB94040GOF0
760lm 927 10.5W	black matt	40°	404DW92740BMF0	404DB92740BMF0
800lm 930 10.5W	black matt	40°	404DW93040BMF0	404DB93040BMF0
810lm 940 10.5W	black matt	40°	404DW94040BMF0	404DB94040BMF0
840lm 927 10.5W	copper	40°	404DW92740COF0	404DB92740COF0
880lm 930 10.5W	copper	40°	404DW93040COF0	404DB93040COF0
890lm 940 10.5W	copper	40°	404DW94040COF0	404DB94040COF0

For Light source energy class and identifier please consult the datasheet on our website.

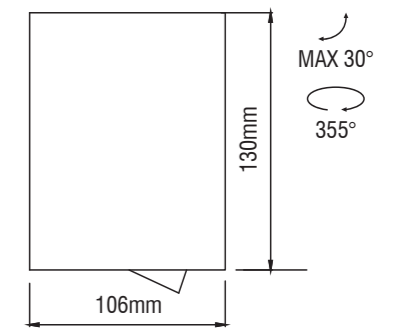


Dea Fauna M.



Description	Reflector	Angle	White	Black
1140lm 927 14W	black high gloss	40°	403EW92740BGF0	403EB92740BGF0
1180lm 930 14W	black high gloss	40°	403EW93040BGF0	403EB93040BGF0
1200lm 940 14W	black high gloss	40°	403EW94040BGF0	403EB94040BGF0
1240lm 927 14W	silver high gloss	40°	403EW92740SGF0	403EB92740SGF0
1290lm 930 14W	silver high gloss	40°	403FW93040SGF0	403FB93040SGF0
1300lm 940 14W	silver high gloss	40°	403FW94040SGF0	403FB94040SGF0
1200lm 927 14W	chrome	40°	403EW92740CHF0	403EB92740CHF0
1260lm 930 14W	chrome	40°	403FW93040CHF0	403FB93040CHF0
1270lm 940 14W	chrome	40°	403FW94040CHF0	403FB94040CHF0
1160lm 927 14W	white	40°	403EW92740WHF0	403EB92740WHF0
1200lm 930 14W	white	40°	403EW93040WHF0	403EB93040WHF0
1220lm 940 14W	white	40°	403EW94040WHF0	403EB94040WHF0
1160lm 927 14W	gold	40°	403EW92740GOF0	403EB92740GOF0
1200lm 930 14W	gold	40°	403EW93040GOF0	403EB93040GOF0
1220lm 940 14W	gold	40°	403EW94040GOF0	403EB94040GOF0
1060lm 927 14W	black matt	40°	403EW92740BMF0	403EB92740BMF0
1120lm 930 14W	black matt	40°	403EW93040BMF0	403EB93040BMF0
1130lm 940 14W	black matt	40°	403EW94040BMF0	403EB94040BMF0
1160lm 927 14W	copper	40°	403EW92740COF0	403EB92740COF0
1200lm 930 14W	copper	40°	403EW93040COF0	403EB93040COF0
1220lm 940 14W	copper	40°	403EW94040COF0	403EB94040COF0

For Light source energy class and identifier please consult the datasheet on our website.





Dea Della Luce
By KARIZMA^{luce}



Dea Fortuna *today is your lucky day.*

How lucky can you be? With its stylish design and its extensive possibilities to fine-tune, the Dea Fortuna brings joy to every place. The two light sources can be controlled independently of each other, giving you the opportunity to add that magical touch anywhere you like. Now it is up to you to choose which of the distinctive colour variants suits your project best.

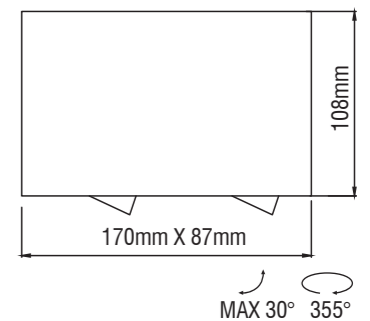
KARIZMA^{luce}

Dea Fortuna S.



Description	Reflector	Angle	White	Black
2x830lm 927 2x10.5W	black high gloss	40°	406DW92740BGFO	406DB92740BGFO
2x860lm 930 2x10.5W	black high gloss	40°	406DW93040BGFO	406DB93040BGFO
2x870lm 940 2x10.5W	black high gloss	40°	406DW94060BGFO	406DB94060BGFO
2x900lm 927 2x10.5W	silver high gloss	40°	406DW92740SGFO	406DB92740SGFO
2x950lm 930 2x10.5W	silver high gloss	40°	406DW93040SGFO	406DB93040SGFO
2x960lm 940 2x10.5W	silver high gloss	40°	406DW94060SGFO	406DB94060SGFO
2x890lm 927 2x10.5W	chrome	40°	406DW92740CHFO	406DB92740CHFO
2x930lm 930 2x10.5W	chrome	40°	406DW93040CHFO	406DB93040CHFO
2x940lm 940 2x10.5W	chrome	40°	406DW94060CHFO	406DB94060CHFO
2x840lm 927 2x10.5W	white	40°	406DW92740WHFO	406DB92740WHFO
2x880lm 930 2x10.5W	white	40°	406DW93040WHFO	406DB93040WHFO
2x890lm 940 2x10.5W	white	40°	406DW94060WHFO	406DB94060WHFO
2x840lm 927 2x10.5W	gold	40°	406DW92740GOF0	406DB92740GOF0
2x880lm 930 2x10.5W	gold	40°	406DW93040GOF0	406DB93040GOF0
2x890lm 940 2x10.5W	gold	40°	406DW94060GOF0	406DB94060GOF0
2x760lm 927 2x10.5W	black matt	40°	406DW92740BMFO	406DB92740BMFO
2x800lm 930 2x10.5W	black matt	40°	406DW93040BMFO	406DB93040BMFO
2x810lm 940 2x10.5W	black matt	40°	406DW94060BMFO	406DB94060BMFO
2x840lm 927 2x10.5W	copper	40°	406DW92740COFO	406DB92740COFO
2x880lm 930 2x10.5W	copper	40°	406DW93040COFO	406DB93040COFO
2x890lm 940 2x10.5W	copper	40°	406DW94040COFO	406DB94040COFO

For Light source energy class and identifier please consult the datasheet on our website.



SURFACE LUMINAIRES.

Dea Della Luce
By KARIZMA^{luce}



Dea Feronia

Looking for freedom?

This small surface mounted fixture is named after Feronia, a goddess who was associated with health and abundance. She represented freedom. Looking for freedom in lighting? This stylish luminaire offers you the choice in no less than six different reflector options and a wide range of colour temperatures, CRI values and dimming protocols.

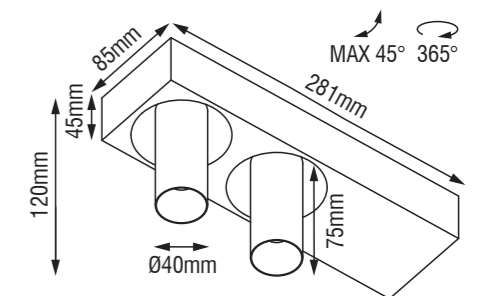
KARIZMA^{luce}

Dea Feronia S.



Description	Reflector	Angle	White	Black
2x490lm 927 2x7W 2x500lm 930 2x7W 2x510lm 940 2x7W	black high gloss	34°	437CW92734BGF0	437CB92734BGF0
2x490lm 927 2x7W 2x500lm 930 2x7W 2x510lm 940 2x7W	black high gloss	34°	437CW93034BGF0	437CB93034BGF0
2x490lm 927 2x7W 2x500lm 930 2x7W 2x510lm 940 2x7W	black high gloss	34°	437CW94034BGF0	437CB94034BGF0
2x490lm 927 2x7W 2x500lm 930 2x7W 2x510lm 940 2x7W	silver high gloss	34°	437CW92734SGF0	437CB92734SGF0
2x490lm 927 2x7W 2x500lm 930 2x7W 2x510lm 940 2x7W	silver high gloss	34°	437CW93034SGF0	437CB93034SGF0
2x490lm 927 2x7W 2x500lm 930 2x7W 2x510lm 940 2x7W	silver high gloss	34°	437CW94034SGF0	437CB94034SGF0
2x490lm 927 2x7W 2x500lm 930 2x7W 2x510lm 940 2x7W	chrome	34°	437CW92734CHF0	437CB92734CHF0
2x490lm 927 2x7W 2x500lm 930 2x7W 2x510lm 940 2x7W	chrome	34°	437CW93034CHF0	437CB93034CHF0
2x490lm 927 2x7W 2x500lm 930 2x7W 2x510lm 940 2x7W	chrome	34°	437CW94034CHF0	437CB94034CHF0
2x490lm 927 2x7W 2x500lm 930 2x7W 2x510lm 940 2x7W	white	34°	437CW92734WHF0	437CB92734WHF0
2x490lm 927 2x7W 2x500lm 930 2x7W 2x510lm 940 2x7W	white	34°	437CW93034WHF0	437CB93034WHF0
2x490lm 927 2x7W 2x500lm 930 2x7W 2x510lm 940 2x7W	white	34°	437CW94034WHF0	437CB94034WHF0
2x490lm 927 2x7W 2x500lm 930 2x7W 2x510lm 940 2x7W	gold	34°	437CW92734GOF0	437CB92734GOF0
2x490lm 927 2x7W 2x500lm 930 2x7W 2x510lm 940 2x7W	gold	34°	437CW93034GOF0	437CB93034GOF0
2x490lm 927 2x7W 2x500lm 930 2x7W 2x510lm 940 2x7W	gold	34°	437CW94034GOF0	437CB94034GOF0
2x490lm 927 2x7W 2x500lm 930 2x7W 2x510lm 940 2x7W	black matt	34°	437CW92734BMF0	437CB92734BMF0
2x490lm 927 2x7W 2x500lm 930 2x7W 2x510lm 940 2x7W	black matt	34°	437CW93034BMF0	437CB93034BMF0
2x490lm 927 2x7W 2x500lm 930 2x7W 2x510lm 940 2x7W	black matt	34°	437CW94034BMF0	437CB94034BMF0
2x490lm 927 2x7W 2x500lm 930 2x7W 2x510lm 940 2x7W	copper	34°	437CW92734COF0	437CB92734COF0
2x490lm 927 2x7W 2x500lm 930 2x7W 2x510lm 940 2x7W	copper	34°	437CW93034COF0	437CB93034COF0
2x490lm 927 2x7W 2x500lm 930 2x7W 2x510lm 940 2x7W	copper	34°	437CW94034COF0	437CB94034COF0

For Light source energy class and identifier please consult the datasheet on our website.



SURFACE LUMINAIRES.





Stretto Surface

small spotlight, big gesture.

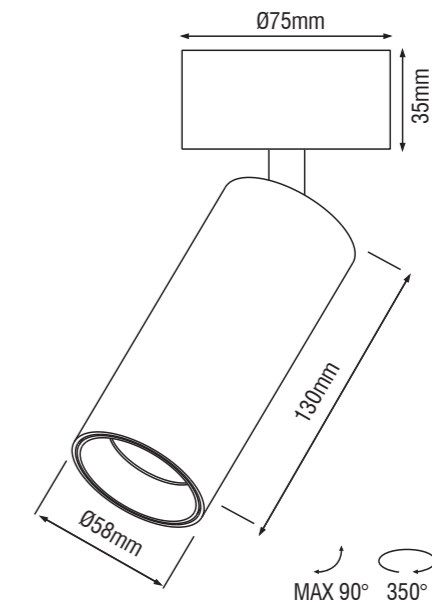
The Stretto Surface is the surface mounted version of the compact track spotlight Stretto. It has the same benefits as the Stretto: equipped with a 20° or 36° lens, 90° tiltable and 350° rotational. It will be delivered with a Phase Cut driver and is available with dim to warm and optional a gold front ring. The luminaire can be mounted on a ceiling or wall. This combination of compact, stylish and flexibility makes the luminaire perfect for restaurants, cafeterias and bars.

Stretto Surface.



Description	Angle	White	Black
1000lm 927 9.5W	20°	436EW92720P0	436EB92720P0
1160lm 930 9.5W	20°	436EW93020P0	436EB93020P0
1100lm 940 9.5W	20°	436FW94020P0	436FB94020P0
1000lm 927 9.5W	36°	436EW92736P0	436EB92736P0
1160lm 930 9.5W	36°	436EW93036P0	436EB93036P0
1100lm 940 9.5W	36°	436FW94036P0	436FB94036P0

For Light source energy class and identifier please consult the datasheet on our website.



Delizia di Luce
By KARIZMA_{luce}



Vuoto Surface *full of opportunities.*

In Italian, Vuoto means empty, hollow. And that is exactly what it is. The compact Vuoto has no light source. Simply apply a GU10 light source of your choice. That makes this spotlight an ideal lighting solution for luxurious homes and catering establishments.

KARIZMA_{luce}

Vuoto Surface.



Description

Vuoto Surface Mounted

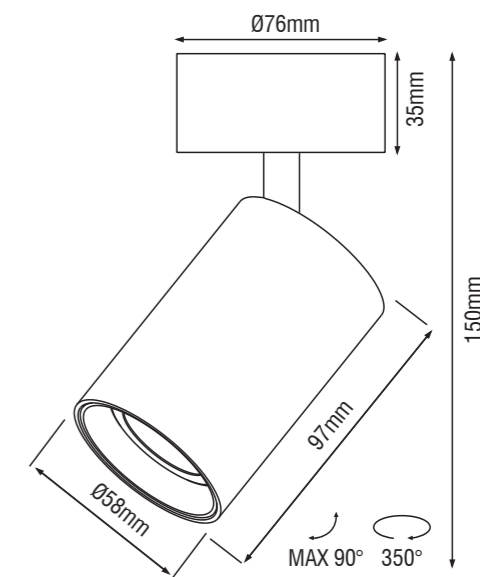
White

614AW00000SF

Black

614AB00000SF

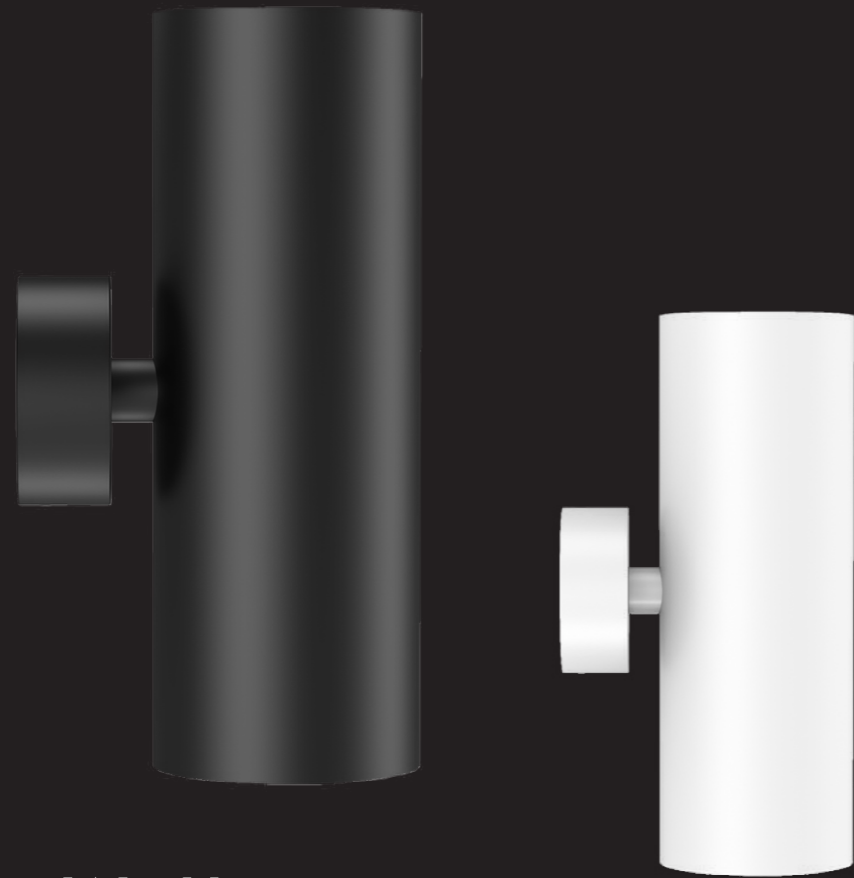
Light source must be ordered separately.



SURFACE LUMINAIRES.



Delizia di Luce
By KARIZMA_{luce}



Vuoto Wall

full of opportunities.

In Italian, Vuoto means empty, hollow. And that is exactly what it is. The compact Vuoto has no light source. Just simply apply a GU10 light source of your choice and create an ideal lighting solution for luxurious homes and catering establishments with this wall fixture.

KARIZMA_{luce}

Vuoto Wall.



Description

Vuoto Wall

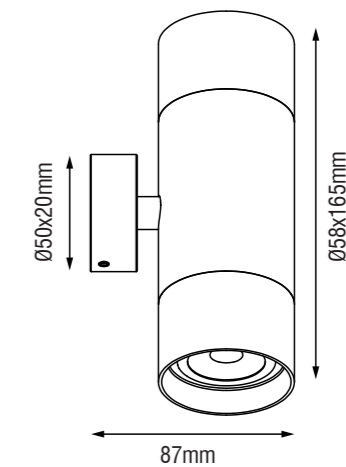
White

616AW00000WM

Black

616AB00000WM

Light source must be ordered separately.



SURFACE LUMINAIRES.

Suspended
Luminaires

Dea Della Luce
By KARIZMA^{luce}

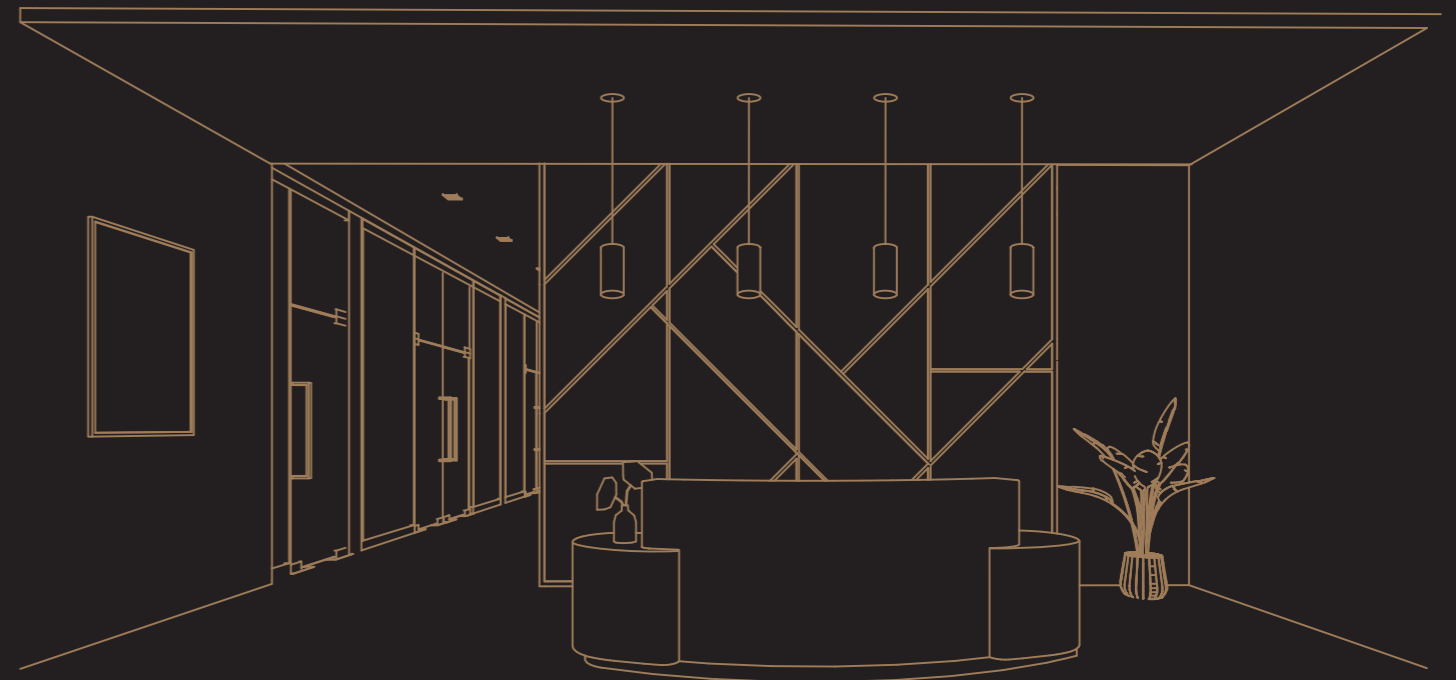


Dea Vesta

simple yet elegant.

The Dea Vesta is like a beautiful dress. You keep looking at it. Simple yet elegant. This pendant luminaire has its own refined way to put light to the place where it's needed: a luxurious kitchen, a beautiful staircase, a stylish bar, a large dinner table. Apply the Dea Vesta in a series to make even more impact.

KARIZMA^{luce}



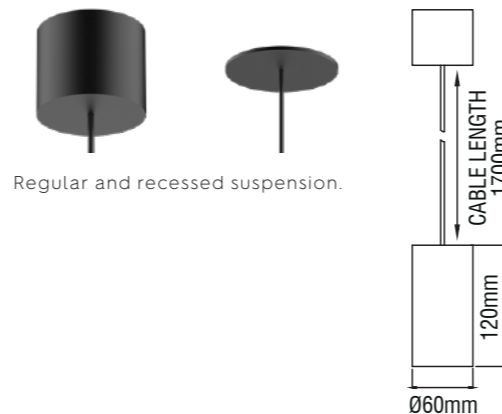
SUSPENDED LUMINAIRES.

Dea Vesta S.



Description	Reflector	Angle	White	Black
830lm 927 10.5W	black high gloss	40°	502DW92740BGFO	502DB92740BGFO
860lm 930 10.5W	black high gloss	40°	502DW93040BGFO	502DB93040BGFO
870lm 940 10.5W	black high gloss	40°	502DW94040BGFO	502DB94040BGFO
900lm 927 10.5W	silver high gloss	40°	502DW92740SGFO	502DB92740SGFO
950lm 930 10.5W	silver high gloss	40°	502DW93040SGFO	502DB93040SGFO
960lm 940 10.5W	silver high gloss	40°	502DW94040SGFO	502DB94040SGFO
890lm 927 10.5W	chrome	40°	502DW92740CHF0	502DB92740CHF0
930lm 930 10.5W	chrome	40°	502DW93040CHF0	502DB93040CHF0
940lm 940 10.5W	chrome	40°	502DW94040CHF0	502DB94040CHF0
840lm 927 10.5W	white	40°	502DW92740WHF0	502DB92740WHF0
880lm 930 10.5W	white	40°	502DW93040WHF0	502DB93040WHF0
890lm 940 10.5W	white	40°	502DW94040WHF0	502DB94040WHF0
840lm 927 10.5W	gold	40°	502DW92740GOF0	502DB92740GOF0
880lm 930 10.5W	gold	40°	502DW93040GOF0	502DB93040GOF0
890lm 940 10.5W	gold	40°	502DW94040GOF0	502DB94040GOF0
760lm 927 10.5W	black matt	40°	502DW92740BMFO	502DB92740BMFO
800lm 930 10.5W	black matt	40°	502DW93040BMFO	502DB93040BMFO
810lm 940 10.5W	black matt	40°	502DW94040BMFO	502DB94040BMFO
840lm 927 10.5W	copper	40°	502DW92740COFO	502DB92740COFO
880lm 930 10.5W	copper	40°	502DW93040COFO	502DB93040COFO
890lm 940 10.5W	copper	40°	502DW94040COFO	502DB94040COFO

For Light source energy class and identifier please consult the datasheet on our website.

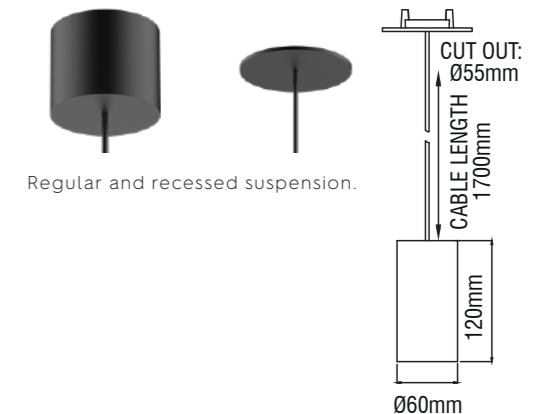


Dea Vesta S recessed.

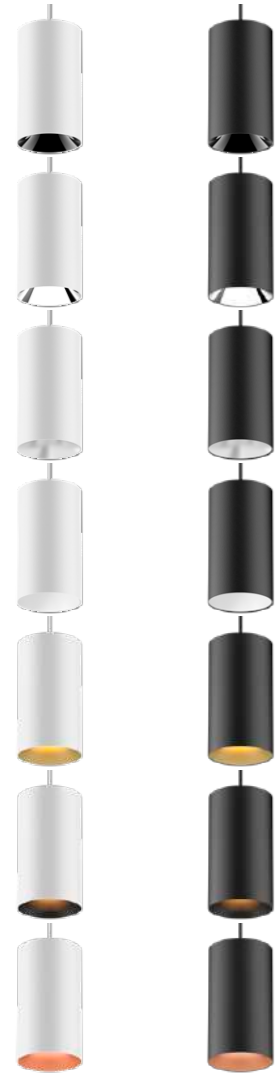


Description	Reflector	Angle	White	Black
830lm 927 10.5W	black high gloss	40°	505DW92740BGFO	505DB92740BGFO
860lm 930 10.5W	black high gloss	40°	505DW93040BGFO	505DB93040BGFO
870lm 940 10.5W	black high gloss	40°	505DW94040BGFO	505DB94040BGFO
900lm 927 10.5W	silver high gloss	40°	505DW92740SGFO	505DB92740SGFO
950lm 930 10.5W	silver high gloss	40°	505DW93040SGFO	505DB93040SGFO
960lm 940 10.5W	silver high gloss	40°	505DW94040SGFO	505DB94040SGFO
890lm 927 10.5W	chrome	40°	505DW92740CHF0	505DB92740CHF0
930lm 930 10.5W	chrome	40°	505DW93040CHF0	505DB93040CHF0
940lm 940 10.5W	chrome	40°	505DW94040CHF0	505DB94040CHF0
840lm 927 10.5W	white	40°	505DW92740WHF0	505DB92740WHF0
880lm 930 10.5W	white	40°	505DW93040WHF0	505DB93040WHF0
890lm 940 10.5W	white	40°	505DW94040WHF0	505DB94040WHF0
840lm 927 10.5W	gold	40°	505DW92740GOF0	505DB92740GOF0
880lm 930 10.5W	gold	40°	505DW93040GOF0	505DB93040GOF0
890lm 940 10.5W	gold	40°	505DW94040GOF0	505DB94040GOF0
760lm 927 10.5W	black matt	40°	505DW92740BMFO	505DB92740BMFO
800lm 930 10.5W	black matt	40°	505DW93040BMFO	505DB93040BMFO
810lm 940 10.5W	black matt	40°	505DW94040BMFO	505DB94040BMFO
840lm 927 10.5W	copper	40°	505DW92740COFO	505DB92740COFO
880lm 930 10.5W	copper	40°	505DW93040COFO	505DB93040COFO
890lm 940 10.5W	copper	40°	505DW94040COFO	505DB94040COFO

For Light source energy class and identifier please consult the datasheet on our website.

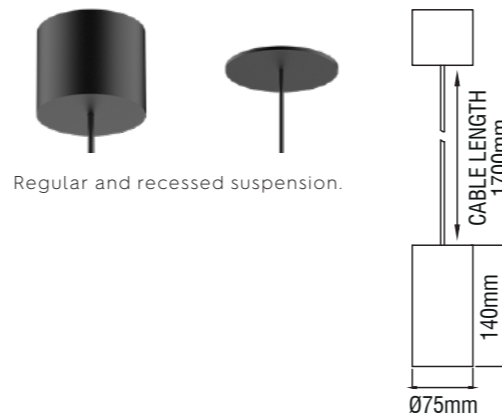


Dea Vesta M.

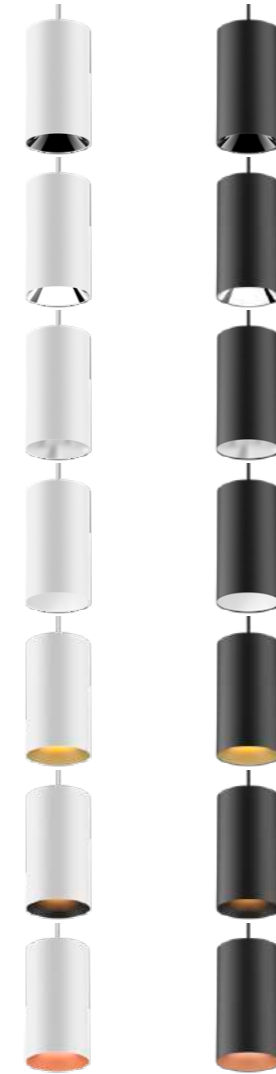


Description	Reflector	Angle	White	Black
1140lm 927 14W	black high gloss	40°	501EW92740BGF0	501EB92740BGF0
1180lm 930 14W	black high gloss	40°	501EW93040BGF0	501EB93040BGF0
1200lm 940 14W	black high gloss	40°	501EW94040BGF0	501EB94040BGF0
1240lm 927 14W	silver high gloss	40°	501EW92740SGF0	501EB92740SGF0
1290lm 930 14W	silver high gloss	40°	501FW93040SGF0	501FB93040SGF0
1300lm 940 14W	silver high gloss	40°	501FW94040SGF0	501FB94040SGF0
1200lm 927 14W	chrome	40°	501EW92740CHF0	501EB92740CHF0
1260lm 930 14W	chrome	40°	501FW93040CHF0	501FB93040CHF0
1270lm 940 14W	chrome	40°	501FW94040CHF0	501FB94040CHF0
1160lm 927 14W	white	40°	501EW92740WHF0	501EB92740WHF0
1200lm 930 14W	white	40°	501EW93040WHF0	501EB93040WHF0
1220lm 940 14W	white	40°	501EW94040WHF0	501EB94040WHF0
1160lm 927 14W	gold	40°	501EW92740GOF0	501EB92740GOF0
1200lm 930 14W	gold	40°	501EW93040GOF0	501EB93040GOF0
1220lm 940 14W	gold	40°	501EW94040GOF0	501EB94040GOF0
1060lm 927 14W	black matt	40°	501EW92740BMF0	501EB92740BMF0
1120lm 930 14W	black matt	40°	501EW93040BMF0	501EB93040BMF0
1130lm 940 14W	black matt	40°	501EW94040BMF0	501EB94040BMF0
1160lm 927 14W	copper	40°	501EW92740COF0	501EB92740COF0
1200lm 930 14W	copper	40°	501EW93040COF0	501EB93040COF0
1220lm 940 14W	copper	40°	501EW94040COF0	501EB94040COF0

For Light source energy class and identifier please consult the datasheet on our website.

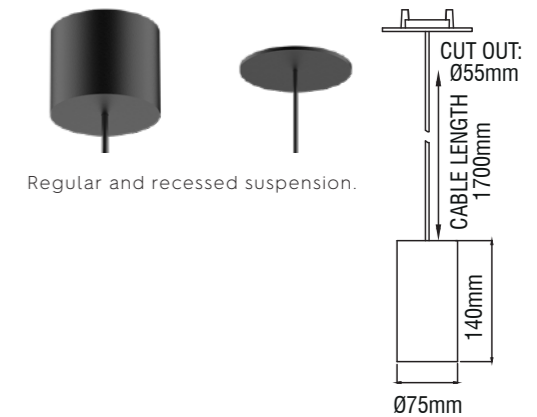


Dea Vesta M recessed.

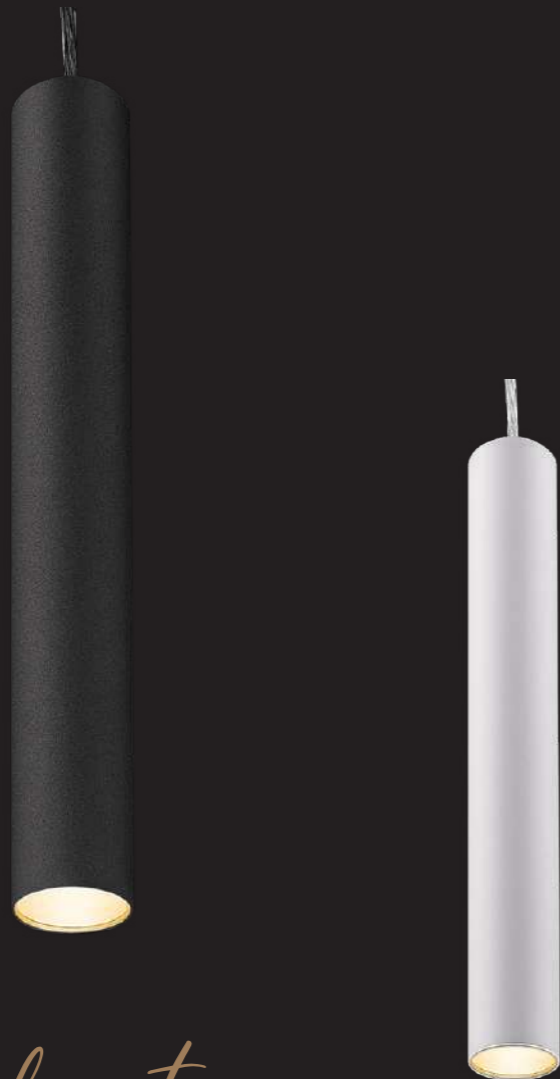


Description	Reflector	Angle	White	Black
1140lm 927 14W	black high gloss	40°	504EW92740BGF0	504EB92740BGF0
1180lm 930 14W	black high gloss	40°	504EW93040BGF0	504EB93040BGF0
1200lm 940 14W	black high gloss	40°	504EW94040BGF0	504EB94040BGF0
1240lm 927 14W	silver high gloss	40°	504EW92740SGF0	504EB92740SGF0
1290lm 930 14W	silver high gloss	40°	504FW93040SGF0	504FB93040SGF0
1300lm 940 14W	silver high gloss	40°	504FW94040SGF0	504FB94040SGF0
1200lm 927 14W	chrome	40°	504EW92740CHF0	504EB92740CHF0
1260lm 930 14W	chrome	40°	504FW93040CHF0	504FB93040CHF0
1270lm 940 14W	chrome	40°	504FW94040CHF0	504FB94040CHF0
1160lm 927 14W	white	40°	504EW92740WHF0	504EB92740WHF0
1200lm 930 14W	white	40°	504EW93040WHF0	504EB93040WHF0
1220lm 940 14W	white	40°	504EW94040WHF0	504EB94040WHF0
1160lm 927 14W	gold	40°	504EW92740GOF0	504EB92740GOF0
1200lm 930 14W	gold	40°	504EW93040GOF0	504EB93040GOF0
1220lm 940 14W	gold	40°	504EW94040GOF0	504EB94040GOF0
1060lm 927 14W	black matt	40°	504EW92740BMF0	504EB92740BMF0
1120lm 930 14W	black matt	40°	504EW93040BMF0	504EB93040BMF0
1130lm 940 14W	black matt	40°	504EW94040BMF0	504EB94040BMF0
1160lm 927 14W	copper	40°	504EW92740COF0	504EB92740COF0
1200lm 930 14W	copper	40°	504EW93040COF0	504EB93040COF0
1220lm 940 14W	copper	40°	504EW94040COF0	504EB94040COF0

For Light source energy class and identifier please consult the datasheet on our website.



Delizia di Luce
By KARIZMA_{luce}



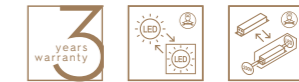
Perla

a piece of art.

Beautify your space with this elegant luminaire. This graceful pendant luminaire will bring a piece of art to any room. The minimalistic slim design and the smooth light created by a 30° lens combined with 2700K, 3000K or 4000K light source in CRI90 surely add charisma to your lighting project.

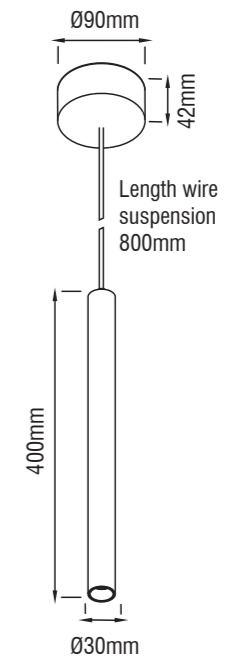
KARIZMA_{luce}

Perla.



Description	Angle	White	Black
380lm 927 6W	30°	503BW92730F0	503BB92730F0
400lm 930 6W	30°	503BW93030F0	503BB93030F0

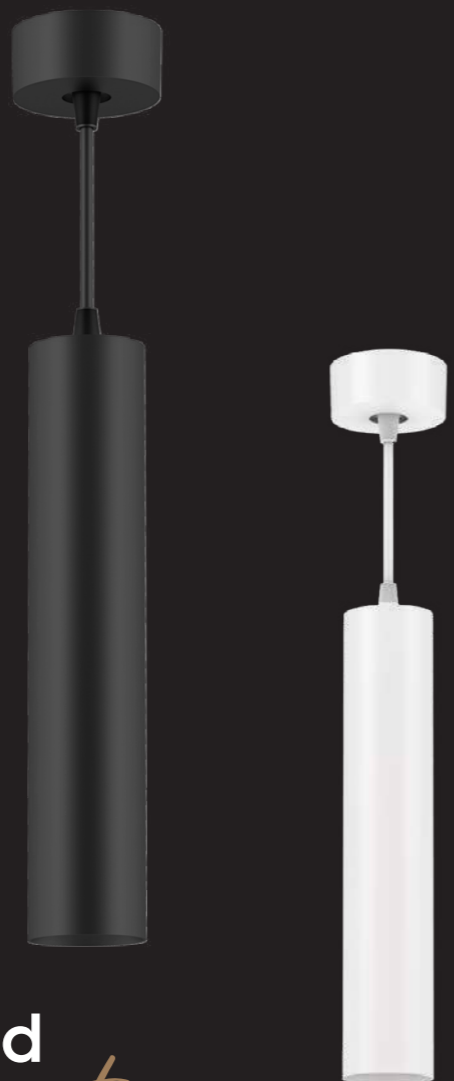
Driver (350mA/33.8-35.9Vf) must be ordered separately.
For Light source energy class and identifier please consult the datasheet on our website.



SUSPENDED LUMINAIRES.



Delizia di Luce
By KARIZMA_{luce}

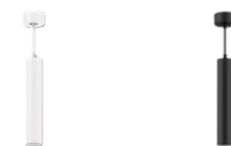


Vuoto Suspended *full of opportunities.*

In Italian, Vuoto means empty, hollow. And that is exactly what it is. The compact Vuoto has no light source. Just simply apply a GU10 light source of your choice and create an ideal lighting solution for luxurious homes and catering establishments with this suspended fixture

KARIZMA_{luce}

Vuoto Suspended.



Description

Vuoto Suspended

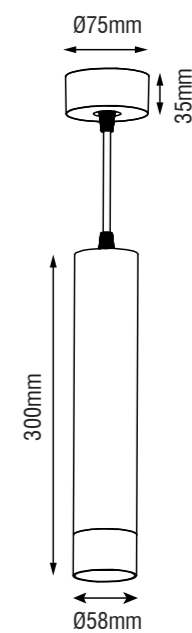
White

615AW00000SU

Black

615AB00000SU

Light source must be ordered separately.



SUSPENDED LUMINAIRES.

Index.

Index.

RECESSED LUMINAIRES FIXED

From page 18



RECESSED LUMINAIRES ADJUSTABLE

From page 60



RECESSED LUMINAIRES TRIMLESS

From page 114



220V TRACK LUMINAIRES

From page 134



Q-LINE SERIES 48V TRACK LUMINAIRES

From page 150



SURFACE LUMINAIRES

From page 178



SUSPENDED LUMINAIRES

From page 206



OUR COLLECTIONS

High end design, unique experience.

With light sources placed extra deep in the elegant luminaires one of kind reflectors, Dea Della Luce luminaires are pure lighting jewellery. Are you ready for an extraordinary lighting experience?

Fundamental lighting made perfect.

Who says functional lighting has to be boring? Meet our Delizia di Luce Collection, where beautiful design meets endless possibilities. Ready for any lighting challenge you can imagine.

Dea Della Luce
By KARIZMA^{luce}

Delizia di Luce
By KARIZMA^{luce}

How to create an item number.

In this catalogue the general item numbers of the products are shown. When you would like to specify the product with other options, you can create the item number by following the steps below.

Step 1	Step 2		Step 3		Step 4
Luminaire number	Watt group		Luminaire color		CRI/CCT
First 3 digits of general item No.	A	0-3.5W	W	White	927
	B	3.6-6.9W	B	Black	930
	C	7-10.4W			940
	D	10.5-14W			DTW: 1830
	E	14W-17.5W			TW: 2765 / 1840
	F	17.5-21W			Etc..
	G	21-24.5W			
	H	24.5-28W			
	I	28-31.5W			
	J	31.5-35W			
	K	35-38.5W			
	L	38.5-42W			
	M	42-45.5W			

Step 5	Step 6		Step 7		Step 8	
Beam angle	Reflector color		Options		Custom options	
24°	SG	Silver Gloss	0	Without driver	0	No selection
30°	BG	Black Gloss	F	Fixed	H	Honeycomb
34°	BM	Black Matt	D	DALI	L	1-Phase adapter
35°	GO	Gold	V	1-10V	T	Track version
40°	CH	Chrome	P	Phase Cut	W	Wieland
Etc.	WH	White	B	Bluetooth (Casambi)		
	CO	Copper				

Examples

Dea Amata S: White housing | Gold reflector | CRI90 | CCT 2700K | Beam angle 55° | DALI

Dea Amata S	8.5W	White	CRI90 / CCT 2700K	55°	Gold	Dali	No selection
212	C	W	927	55°	GO	D	0

Dea Amata S: Black housing | Black matt reflector | CRI90 | CCT 2 DTW | Beam angle 60° | Phase cut

Dea Amata S	8.5W	Black	CRI90 / CCT DTW	60°	Black matt	Phase cut	No selection
212	C	B	1830	60°	BM	P	0

Contact.

Karizma Luce B.V.

📍 Sneekerveer 4A, 8502 TP Joure

☎ +31 513 226008

🌐 karizmaluce.com

✉ info@karizmaluce.com

Follow us [in](#) [Instagram](#) [Pinterest](#)



Sales Benelux

☎ +31 (0) 513 226 008

✉ info@karizmaluce.com

Sales Worldwide

☎ +31 (0) 513 760 609

✉ info@karizmaluce.com

Finance Department

☎ +31 (0) 513 760 604

✉ administratie@karizmaluce.com



Scan the QR code to visit our website.

Photo credits.

We would like to thank the following partners for sharing their project images with us:

UTILICHT Weert, The Netherlands, Project: Van der Valk, Deventer, Valk Interiors, Photography: Denise Zwijnen, Page 27 • **DJS Automation Oy, Finland, Project: Residential Villa, Light planner: Sameltech Oy, Page 32/33** • **De Lichtadviseurs, The Netherlands, Project: Restaurant Smink Wolvega, Architect: Marten Veenstra, Photography: Ron Greve, Page 41** • **UTILICHT Weert, The Netherlands, Project: Hotel Maassluis, Maassluis Page 50/51** • **BEDRIJFSVERLICHTING.NL, The Netherlands, Project: CoVino, Maarsen, Interior design: Project2000, Photography: Bianca Wesselius/way2style, Page 66/67** • **BEDRIJFSVERLICHTING.NL, The Netherlands, Project: Mercer, Amsterdam, Photography: Bianca Wesselius van way2style, Page 96/97** • **UTILICHT Weert, The Netherlands, Project: Showroom hotelroom, The Netherlands, Photography: Angelique Huydts, Page 111** • **BEDRIJFSVERLICHTING.NL, The Netherlands, Project: Mercer, Amsterdam, Photography: Bianca Wesselius/way2style, Page 96/97** • **DLIGHT LIVING, Ireland, Project: Kitchen lighting, Lighting design by Dlight, Page 131** • **BEDRIJFSVERLICHTING.NL, The Netherlands, Project: Apéro Boule, Hasselt, The Netherlands, Photography: Bianca Wesselius/way2style, Page 144/145** • **DLIGHT, Ireland, Project: Office building, (suspended Dea Flora) Photography © DonalMurphy Photo, Page 184/185** • **BEDRIJFSVERLICHTING.NL Utrecht, The Netherlands, Projects: Architectural lighting, Interior design: Home Factory, Photography: Art of Living/Jurrit van der Waal, Page 190/191** • **WIEMERS LICHT-ADVIES Leeuwarden, The Netherlands, Projects: Bar Bistro DuCo's/Leeuwarden, Page 216/217.**

Interested in inspiring lighting professionals with your latest Karizma Luce project? Please send your images to marketing@karizmaluce.com. We are happy to share them in our extensive network.

KARIZMALUCE.COM